



# Numerical index

# R 50/5 (Engine, Carburetor, Clutch)

Part numbers	Group	Page	Part numbers	Group	Page	Part numbers	Group	Page	Part numbers	Group	Page	Part numbers	Group	Page
07 11 9 900 147	12.4	2/2	07 11 9 931 034	12.4	1/2	07 12 9 934 317	11.1	1/6	11 12 0 023 160	11.1	3/6	<del>11 21 1 250 190</del>	11.2	3/1
07 11 9 900 869	11.3	3/3	07 11 9 931 034	12.4	2/2	07 12 9 952 022	11.1	6/6	11 12 1 250 232	11.1	3/6	11 21 1 250 198	11.2	1/3
07 11 9 901 310	16.1	1/1	07 11 9 931 043	18.1	1/1	<del>07 12 9 952 548</del>	13.7	1/1	11 12 1 250 237	11.1	3/6	11 21 1 255 290	11.2	1/3
07 11 9 901 849	11.4	1/1	07 11 9 931 650	11.1	6/6	<del>07 12 9 952 553</del>	13.7	1/1	11 12 1 250 240	11.1	3/6	11 22 0 016 759	11.2	1/3
07 11 9 903 306	11.1	1/6	07 11 9 932 015	12.4	2/2	11 00 1 253 416	11.0	1/1	11 12 1 250 268	11.1	3/6	11 22 1 251 732	11.2	1/3
07 11 9 903 349	11.1	1/6	<del>07 11 9 932 030</del>	12.1	1/1	11 00 1 255 023	11.0	1/1	11 12 1 251 304	11.1	3/6	11 24 0 618 100	11.2	2/3
07 11 9 908 255	11.1	4/6	07 11 9 932 045	11.1	6/6	11 11 0 001 104	11.1	3/6	11 12 1 251 598	11.1	3/6	11 24 1 250 193	11.2	2/3
07 11 9 908 336	11.1	4/6	07 11 9 932 046	12.3	2/2	11 11 0 001 105	11.1	2/6	11 12 1 253 155	11.1	3/6	11 24 1 250 196	11.2	2/3
07 11 9 908 378	11.1	2/6	07 11 9 932 046	12.4	1/2	11 11 0 001 106	11.1	1/6	11 12 1 253 158	11.1	3/6	11 24 1 250 197	11.2	2/3
07 11 9 911 214	11.3	3/3	07 11 9 932 061	11.1	6/6	<del>11 11 0 001 186</del>	11.1	1/6	11 12 1 253 754	11.1	3/6	11 24 1 251 052	11.2	2/3
07 11 9 911 631	11.4	1/1	07 11 9 932 061	12.1	1/1	11 11 1 250 155	11.2	1/3	11 12 1 254 126	11.1	3/6	11 24 1 251 053	11.2	2/3
07 11 9 912 241	11.1	2/6	07 11 9 932 069	11.4	1/1	11 11 1 250 156	11.1	1/6	11 12 1 254 839	11.1	3/6	11 24 1 254 819	11.2	2/3
07 11 9 912 507	12.4	1/2	07 11 9 932 070	11.1	2/6	11 11 1 250 157	11.1	1/6	11 12 1 254 840	11.1	3/6	11 25 1 253 152	11.2	3/3
07 11 9 913 455	12.4	1/2	07 11 9 932 070	11.1	4/6	11 11 1 250 158	11.1	1/6	11 12 1 255 167	11.1	3/6	11 25 1 253 163	11.2	3/3
07 11 9 913 457	11.4	1/1	07 11 9 932 070	11.4	1/1	11 11 1 250 159	11.1	1/6	11 12 1 255 295	11.1	3/6	11 25 1 253 154	11.2	3/3
07 11 9 913 472	11.4	1/1	07 11 9 932 070	12.1	1/1	<del>11 11 1 250 166</del>	11.2	1/3	11 12 1 256 020	11.1	3/6	11 25 1 254 053	11.2	3/3
07 11 9 913 640	13.7	1/1	07 11 9 932 070	12.4	1/2	11 11 1 250 167	11.2	1/3	11 12 1 256 024	11.1	3/6	11 25 1 254 054	11.2	3/3
07 11 9 919 124	11.1	2/6	07 11 9 932 070	13.7	1/1	11 11 1 250 188	11.1	1/6	11 12 1 256 025	11.1	3/6	11 25 1 254 055	11.2	3/3
07 11 9 919 360	12.4	2/2	07 11 9 932 070	18.1	1/1	11 11 1 250 189	11.1	1/6	11 13 1 250 180	11.1	2/6	11 25 1 254 056	11.2	3/3
07 11 9 919 371	12.1	1/1	07 11 9 932 070	16.1	1/1	11 11 1 250 214	11.1	2/6	11 13 1 251 295	11.1	2/6	11 25 1 254 057	11.2	3/3
07 11 9 919 381	12.1	1/1	07 11 9 932 090	11.1	4/6	11 11 1 251 228	11.1	1/6	11 14 1 250 168	11.1	5/6	11 25 1 254 058	11.2	3/3
07 11 9 919 610	12.4	1/2	07 11 9 932 090	13.7	1/1	11 11 1 251 229	11.1	1/6	<del>11 14 1 250 169</del>	11.1	5/6	11 25 1 254 333	11.2	3/3
07 11 9 919 902	12.3	2/2	07 11 9 932 093	11.1	2/6	11 11 1 251 309	11.1	2/6	<del>11 14 1 250 171</del>	11.1	5/6	11 25 1 254 334	11.2	3/3
<del>07 11 9 919 902</del>	12.4	1/2	07 11 9 932 094	12.4	1/2	11 11 1 251 433	11.1	1/6	11 14 1 250 172	11.1	5/6	11 25 1 254 335	11.2	3/3
07 11 9 919 903	11.1	6/6	07 11 9 932 841	11.3	3/3	11 11 1 251 437	11.1	1/6	<del>11 14 1 250 181</del>	11.1	5/6	11 25 1 254 336	11.2	3/3
07 11 9 919 903	12.3	2/2	07 11 9 933 059	12.3	2/2	11 11 1 252 310	11.1	1/6	11 14 1 252 311	11.1	5/6	11 25 1 254 337	11.2	3/3
07 11 9 919 908	12.3	2/2	07 11 9 933 079	12.4	2/2	11 11 1 252 769	11.2	1/3	<del>11 14 1 253 244</del>	11.1	5/6	11 25 1 254 338	11.2	3/3
07 11 9 919 912	12.1	1/1	07 11 9 933 095	12.4	1/2	11 11 1 252 770	11.2	1/3	11 14 1 253 245	11.1	5/6	11 25 1 254 339	11.2	3/3
07 11 9 919 912	18.1	1/1	07 11 9 933 653	11.2	3/3	11 11 1 252 787	11.2	1/3	11 14 1 253 415	11.1	5/6	11 25 1 254 340	11.2	3/3
07 11 9 919 920	11.1	6/6	07 11 9 936 041	12.1	1/1	<del>11 11 1 252 980</del>	11.1	2/6	<del>11 14 1 253 635</del>	11.1	5/6	11 25 1 254 341	11.2	3/3
07 11 9 919 927	18.1	1/1	07 11 9 936 413	16.1	1/1	11 11 1 253 184	11.1	2/6	11 14 1 253 746	11.1	5/6	11 25 1 254 342	11.2	3/3
07 11 9 919 931	11.1	6/6	07 11 9 937 281	11.1	1/6	11 11 1 253 243	11.1	2/6	11 14 1 253 782	11.1	5/6	11 25 1 256 470	11.2	3/3
07 11 9 919 937	11.1	6/6	07 11 9 941 485	11.1	6/6	<del>11 11 1 254 084</del>	11.1	2/6	11 14 1 253 871	11.1	5/6	11 25 1 256 471	11.2	3/3
07 11 9 919 956	11.1	6/6	07 11 9 942 050	11.1	2/6	11 11 1 255 001	11.1	2/6	11 14 1 254 398	11.1	5/6	11 25 1 256 472	11.2	3/3
07 11 9 921 056	12.4	2/2	<del>07 11 9 942 050</del>	11.2	2/3	11 11 1 255 013	11.2	1/3	11 14 1 254 427	11.1	5/6	<del>11 31 0 030 110</del>	11.3	1/3
07 11 9 921 076	21.2+21.5	1/1	<del>07 11 9 942 060</del>	11.1	2/6	11 11 1 255 020	11.1	2/6	11 14 1 254 826	11.1	5/6	11 31 1 250 186	11.3	1/3
07 11 9 922 035	12.3	2/2	07 11 9 944 650	16.1	1/1	11 11 1 255 285	11.2	1/3	11 14 1 255 006	11.1	5/6	11 31 1 250 187	11.3	1/3
07 11 9 922 036	12.4	1/2	07 11 9 945 181	21.2+21.5	1/1	11 11 1 255 467	11.1	1/6	11 14 1 255 011	11.1	5/6	11 31 1 250 251	11.3	1/3
07 11 9 922 051	11.1	4/6	07 11 9 951 414	11.4	1/1	11 11 1 255 797	11.1	2/6	11 14 1 255 793	11.1	5/6	11 31 1 250 253	11.3	1/3
07 11 9 922 053	12.1	1/1	07 11 9 951 480	11.2	2/3	11 11 1 255 943	11.1	2/6	11 14 1 255 793	12.4	1/2	11 31 1 250 258	11.3	1/3
07 11 9 922 053	16.1	1/1	07 11 9 951 480	11.3	3/3	<del>11 11 1 255 944</del>	11.1	2/6	11 14 1 255 794	11.1	5/6	11 31 1 251 346	11.3	3/1
07 11 9 922 053	18.1	1/1	07 11 9 960 615	21.2+21.5	1/1	11 11 1 256 561	11.1	1/6	11 14 1 255 794	12.4	1/2	11 31 1 253 185	11.3	1/3
<del>07 11 9 922 081</del>	12.4	1/2	07 11 9 963 310	11.1	2/6	<del>11 12 0 021 110</del>	11.1	3/6	11 14 1 256 578	11.1	5/6	11 31 1 253 188	11.3	1/3
<del>07 11 9 922 082</del>	11.1	2/6	07 11 9 963 420	11.4	1/1	<del>11 12 0 021 111</del>	11.1	3/6	11 15 1 252 731	11.1	5/6	11 31 1 254 217	11.3	1/3
07 11 9 924 035	16.1	1/1	07 11 9 981 722	11.2	2/3	11 12 0 021 118	11.1	3/6	11 15 1 252 733	11.1	5/6	11 31 1 256 563	11.3	1/3
07 11 9 930 840	12.3	2/2	07 11 9 986 280	11.1	1/6	11 12 0 022 166	11.1	3/6	<del>11 15 1 252 734</del>	11.1	5/6	11 31 1 256 928	11.3	1/3
07 11 9 931 033	11.1	1/6	07 11 9 988 819	16.1	1/1	11 12 0 023 150	11.1	3/6	11 15 1 255 146	11.1	5/6	11 32 1 250 264	11.3	2/3



# Numerical index

# R 50/5 (Engine, Carburetor, Clutch)

Part numbers	Group	Page	Part numbers	Group	Page	Part numbers	Group	Page	Part numbers	Group	Page	Part numbers	Group	Page
11 32 1 250 267	11.3	2/3	12 12 8 636 167	12.1	1/1	13 11 0 039 182	13.1	2/3	13 72 1 253 720	13.7	1/1	18 21 1 230 586	18.1	1/1
<del>11 32 1 253 303</del>	11.3	2/3	12 12 8 636 169	12.1	1/1	13 11 0 039 216	13.1	2/3	13 72 1 253 925	13.7	1/1	18 21 1 230 587	18.1	1/1
11 32 1 255 805	11.3	2/3	<del>12 13 1 350 297</del>	12.1	1/1	13 11 0 039 247	13.1	2/3	13 72 1 254 042	13.7	1/1	21 21 0 070 155	21.2+21.5	1/1
11 33 0 034 128	11.3	2/3	12 13 1 351 584	12.1	1/1	13 11 0 039 284	13.1	2/3	13 72 1 254 200	13.1	1/3	21 21 0 070 157	21.2+21.5	1/1
11 33 0 034 178	11.3	2/3	12 13 1 354 147	12.1	1/1	13 11 1 254 083	16.1	1/1	13 72 1 254 382	13.7	1/1	21 21 0 070 182	21.2+21.5	1/1
11 33 1 250 239	11.3	2/3	12 13 8 031 705	12.1	1/1	13 11 1 254 730	13.1	2/3	13 72 1 256 654	13.7	1/1	21 21 0 070 511	21.2+21.5	1/1
11 33 1 250 259	11.3	2/3	12 31 1 350 769	12.3	1/2	<del>13 11 1 254 733</del>	13.1	2/3	13 72 1 256 654	13.1	1/3	21 21 1 251 801	21.2+21.5	1/1
11 33 1 250 261	11.3	2/3	12 31 1 350 786	12.3	1/2	13 11 1 254 735	13.1	2/3	13 72 1 256 655	13.7	1/1	21 21 1 251 803	21.2+21.5	1/1
11 33 1 252 143	11.3	2/3	12 31 1 350 787	12.3	1/2	13 11 1 254 765	13.1	2/3	13 72 1 256 655	13.1	1/3	21 51 1 230 090	21.2+21.5	1/1
11 33 1 252 628	11.3	2/3	12 31 1 351 585	12.3	1/2	13 11 1 254 766	13.1	2/3	16 11 1 230 030	16.1	1/1	21 51 1 230 104	21.2+21.5	1/1
<del>11 33 1 255 080</del>	11.1	1/6	12 31 8 002 345	12.3	1/2	13 11 1 254 767	13.1	2/3	16 11 1 230 031	16.1	1/1	21 51 1 230 108	21.2+21.5	1/1
11 34 0 026 724	11.3	3/3	12 31 8 002 346	12.3	1/2	13 11 1 254 768	13.1	2/3	16 11 1 230 045	16.1	1/1	21 51 1 230 109	21.2+21.5	1/1
<del>11 34 0 626 137</del>	11.3	3/3	12 31 8 002 347	12.3	1/2	13 11 1 254 909	13.1	2/3	16 11 1 230 048	16.1	1/1	21 52 1 020 109	21.2+21.5	1/1
11 34 1 250 233	11.3	3/3	12 31 8 002 348	12.3	1/2	13 11 1 254 910	13.1	2/3	16 11 1 230 049	16.1	1/1	21 52 1 080 122	21.2+21.5	1/1
11 34 1 252 495	11.3	3/3	12 31 8 002 349	12.3	1/2	13 11 1 254 911	13.1	2/3	16 11 1 230 506	16.1	1/1	23 21 1 230 106	21.2+21.5	1/1
11 34 1 253 118	11.3	3/3	12 31 8 002 350	12.3	1/2	13 11 1 254 912	13.1	2/3	16 11 1 230 600	16.1	1/1	23 21 1 230 107	21.2+21.5	1/1
11 34 1 253 119	11.3	3/3	12 31 8 002 351	12.3	1/2	13 11 1 254 913	13.1	2/3	16 11 1 230 603	16.1	1/1	23 21 1 230 440	21.2+21.5	1/1
11 34 1 254 300	11.3	3/3	12 32 1 350 052	12.3	1/2	13 11 1 254 914	13.1	2/3	16 11 1 230 763	16.1	1/1	23 21 1 230 961	21.2+21.5	1/1
11 41 0 052 874	11.4	1/1	12 32 1 350 226	12.3	1/2	13 11 1 254 915	13.1	2/3	16 11 1 230 769	16.1	1/1	23 21 1 230 962	21.2+21.5	1/1
11 41 0 552 280	11.4	1/1	12 32 1 352 472	12.3	1/2	13 11 1 254 917	13.1	2/3	16 11 1 230 883	16.1	1/1	34 21 3 060 174	13.7	1/1
11 41 0 652 120	11.1	2/6	12 32 8 008 512	12.3	1/2	13 11 1 254 918	13.1	2/3	16 11 1 231 026	16.1	1/1	41 35 5 780 222	13.7	1/1
11 41 0 652 128	11.1	2/6	12 41 1 350 246	12.4	1/2	13 11 1 254 919	13.1	2/3	16 11 1 231 027	16.1	1/1	51 14 1 254 106	11.1	5/6
11 41 1 250 272	11.4	1/1	12 41 1 350 775	12.4	1/2	13 11 1 254 920	13.1	2/3	16 11 1 231 028	16.1	1/1	<del>61 12 1 350 694</del>	12.4	1/2
11 41 1 250 274	11.4	1/1	12 41 1 351 590	12.4	1/2	13 11 1 254 921	13.1	2/3	16 11 1 231 029	16.1	1/1	<del>61 12 1 351 671</del>	12.4	1/2
11 41 1 252 223	11.4	1/1	12 41 1 352 524	12.4	2/2	13 11 1 254 922	13.1	2/3	16 11 1 231 030	16.1	1/1	61 12 1 353 312	12.4	1/2
11 41 1 252 226	11.4	1/1	12 41 1 352 525	12.4	2/2	13 11 1 254 923	13.1	3/3	16 11 1 231 031	16.1	1/1	61 12 1 353 313	12.4	1/2
11 41 1 253 293	11.4	1/1	12 41 1 352 526	12.4	2/2	13 11 1 254 924	13.1	3/3	16 11 1 231 032	16.1	1/1	61 13 1 352 095	12.4	1/2
11 41 1 253 294	11.4	1/1	12 41 1 352 527	12.4	2/2	13 11 1 254 925	13.1	3/3	16 11 1 231 097	16.1	1/1	61 13 8 061 761	12.1	1/1
11 42 1 250 282	11.4	1/1	12 41 1 352 528	12.4	2/2	13 11 1 254 926	13.1	3/3	16 11 1 232 223	16.1	1/1	<del>61 13 8 061 769</del>	12.1	1/1
11 42 1 250 284	11.4	1/1	12 41 1 352 529	12.4	2/2	13 11 1 254 927	13.1	3/3	16 12 4 084 008	16.1	1/1	61 13 8 061 781	12.1	1/1
11 42 1 250 285	11.4	1/1	12 41 1 352 530	12.4	2/2	13 11 1 254 928	13.1	3/3	16 12 4 084 109	16.1	1/1	<del>61 13 8 071 755</del>	12.1	1/1
11 42 1 251 300	11.4	1/1	12 41 1 352 532	12.4	2/2	13 11 1 254 929	13.1	3/3	16 12 4 084 110	16.1	1/1	61 31 1 351 799	11.1	1/6
11 42 1 253 919	11.4	1/1	12 41 1 352 533	12.4	2/2	13 11 1 254 930	13.1	3/3	16 12 4 084 111	16.1	1/1			
11 43 1 252 661	11.4	1/1	12 41 1 352 534	12.4	2/2	13 11 1 254 931	13.1	3/3	16 12 4 084 119	16.1	1/1			
12 11 1 351 564	12.1	1/1	12 41 1 352 535	12.4	2/2	13 11 1 254 932	13.1	3/3	16 12 4 084 120	16.1	1/1			
12 11 1 351 571	12.1	1/1	12 41 1 352 536	12.4	2/2	13 11 1 254 933	13.1	3/3	16 12 4 084 126	16.1	1/1			
12 11 1 353 226	12.1	1/1	12 41 1 352 537	12.4	2/2	13 11 1 255 141	13.1	1/3	16 12 4 680 115	12.1	1/1			
12 11 1 353 345	12.1	1/1	12 41 1 352 538	12.4	2/2	13 11 1 255 142	13.1	1/3	16 13 4 084 115	16.1	1/1			
12 11 1 353 639	12.1	1/1	12 41 1 352 539	12.4	2/2	13 11 1 255 816	13.1	3/3	18 11 1 230 433	18.1	1/1			
12 11 1 353 640	12.1	1/1	12 41 1 352 540	12.4	2/2	13 11 1 255 817	13.1	3/3	18 11 1 230 434	18.1	1/1			
12 11 8 536 129	12.1	1/1	12 41 1 352 541	12.4	2/2	13 11 1 255 835	13.1	3/3	18 11 1 230 638	18.1	1/1			
12 12 1 351 531	12.1	1/1	12 41 1 255 797	12.4	1/2	13 11 1 255 837	13.1	3/3	18 11 4 090 270	18.1	1/1			
12 12 1 353 084	12.1	1/1	12 41 8 620 126	12.4	2/2	<del>13 31 1 252 947</del>	12.1	1/1	18 12 1 230 428	18.1	1/1			
12 12 8 036 124	12.1	1/1	12 41 8 620 136	12.4	2/2	13 72 1 251 169	13.7	1/1	18 12 1 230 429	18.1	1/1			
12 12 8 036 157	12.1	1/1	12 41 8 620 158	12.4	2/2	13 72 1 251 611	13.7	1/1	18 21 1 230 432	18.1	1/1			
12 12 8 036 160	12.1	1/1	13 11 0 039 165	13.1	2/3	13 72 1 251 612	13.7	1/1	18 21 1 230 584	18.1	1/1			
12 12 8 536 120	12.1	1/1	13 11 0 039 178	13.1	2/3	13 72 1 253 717	13.7	1/1	18 21 1 230 585	18.1	1/1			



# Numerical index

# R 60/5 (Engine, Carburetor, Clutch)

Part numbers	Group	Page	Part numbers	Group	Page	Part numbers	Group	Page	Part numbers	Group	Page	Part numbers	Group	Page
07 11 9 900 147	12.4	2/2	07 11 9 931 034	12.4	1/2	07 12 9 934 317	11.1	1/6	11 12 0 022 166	11.1	3/6	11 15 1 252 733	11.1	5/6
07 11 9 900 869	11.3	3/3	07 11 9 931 034	12.4	2/2	07 12 9 952 022	11.1	6/6	11 12 0 023 150	11.1	3/6	<del>11 15 1 252 734</del>	11.1	5/6
07 11 9 901 310	16.1	1/1	07 11 9 931 043	18.1	1/1	<del>07 12 9 952 548</del>	13.7	1/1	11 12 0 023 160	11.1	3/6	11 15 1 255 146	11.1	5/6
07 11 9 901 849	11.4	1/1	07 11 9 931 650	11.1	6/6	<del>07 12 9 952 553</del>	13.7	1/1	11 12 1 250 232	11.1	3/6	<del>11 21 1 250 190</del>	11.2	1/3
07 11 9 903 306	11.1	1/6	07 11 9 932 015	12.4	2/2	11 00 1 253 417	11.0	1/1	11 12 1 250 237	11.1	3/6	11 21 1 250 198	11.2	1/3
07 11 9 903 349	11.1	1/6	<del>07 11 9 932 030</del>	12.1	1/1	11 00 1 255 023	11.0	1/1	11 12 1 250 240	11.1	3/6	11 21 1 255 290	11.2	1/3
07 11 9 908 255	11.1	4/6	07 11 9 932 045	11.1	6/6	11 11 0 001 104	11.1	3/6	11 12 1 250 268	11.1	3/6	11 22 0 016 759	11.2	1/3
07 11 9 908 336	11.1	4/6	07 11 9 932 046	12.3	2/2	11 11 0 001 105	11.1	2/6	11 12 1 251 253	11.1	3/6	11 22 1 251 732	11.2	1/3
07 11 9 908 378	11.1	2/6	07 11 9 932 046	12.4	1/2	11 11 0 001 106	11.1	1/6	11 12 1 251 254	11.1	3/6	11 24 0 618 100	11.2	2/3
07 11 9 911 214	11.3	3/3	07 11 9 932 061	11.1	6/6	<del>11 11 0 001 106</del>	11.1	1/6	11 12 1 251 304	11.1	3/6	11 24 1 250 193	11.2	2/3
07 11 9 911 631	11.4	1/1	07 11 9 932 061	12.1	1/1	11 11 1 250 155	11.2	1/3	11 12 1 251 590	11.1	3/6	11 24 1 250 196	11.2	2/3
07 11 9 912 241	11.1	2/6	07 11 9 932 069	11.4	1/1	11 11 1 250 156	11.1	1/6	11 12 1 251 593	11.1	3/6	11 24 1 250 197	11.2	2/3
07 11 9 912 507	12.4	1/2	07 11 9 932 070	11.1	2/6	11 11 1 250 157	11.1	1/6	11 12 1 251 598	11.1	3/6	11 24 1 251 052	11.2	2/3
07 11 9 913 455	12.4	1/2	07 11 9 932 070	11.1	4/6	11 11 1 250 158	11.1	1/6	11 12 1 251 754	11.1	3/6	11 24 1 251 053	11.2	2/3
07 11 9 913 457	11.4	1/1	07 11 9 932 070	11.4	1/1	11 11 1 250 159	11.1	1/6	11 12 1 254 839	11.1	3/6	11 24 1 254 819	11.2	2/3
07 11 9 913 472	11.4	1/1	07 11 9 932 070	12.1	1/1	<del>11 11 1 250 168</del>	11.2	1/3	11 12 1 254 840	11.1	3/6	11 25 1 251 585	11.2	3/3
07 11 9 913 640	13.7	1/1	07 11 9 932 070	12.4	1/2	11 11 1 250 167	11.2	1/3	11 12 1 255 167	11.1	3/6	11 25 1 252 806	11.2	3/3
07 11 9 919 124	11.1	2/6	07 11 9 932 070	13.7	1/1	11 11 1 250 188	11.1	1/6	11 12 1 255 295	11.1	3/6	11 25 1 252 807	11.2	3/3
07 11 9 919 360	12.4	2/2	07 11 9 932 070	16.1	1/1	11 11 1 250 189	11.1	1/6	11 12 1 256 026	11.1	3/6	11 25 1 252 808	11.2	3/3
07 11 9 919 371	12.1	1/1	07 11 9 932 070	18.1	1/1	11 11 1 250 214	11.1	2/6	11 12 1 256 027	11.1	3/6	11 25 1 253 948	11.2	3/3
07 11 9 919 381	12.1	1/1	07 11 9 932 090	11.1	4/6	11 11 1 251 228	11.1	1/6	11 13 1 250 180	11.1	2/6	11 25 1 253 949	11.2	3/3
07 11 9 919 610	12.4	1/2	07 11 9 932 090	13.7	1/1	11 11 1 251 229	11.1	1/6	11 13 1 251 295	11.1	2/6	11 25 1 253 950	11.2	3/3
07 11 9 919 902	12.3	2/2	07 11 9 932 093	11.1	2/6	11 11 1 251 309	11.1	2/6	11 14 1 250 168	11.1	5/6	11 25 1 253 951	11.2	3/3
<del>07 11 9 919 902</del>	12.4	1/2	07 11 9 932 094	12.4	1/2	11 11 1 251 433	11.1	1/6	<del>11 14 1 250 169</del>	11.1	5/6	11 25 1 253 952	11.2	3/3
07 11 9 919 903	11.1	6/6	07 11 9 932 841	11.3	3/3	11 11 1 251 437	11.1	1/6	<del>11 14 1 250 171</del>	11.1	5/6	11 25 1 253 953	11.2	3/3
07 11 9 919 903	12.3	2/2	07 11 9 933 059	12.3	2/2	<del>11 11 1 251 561</del>	11.1	2/6	11 14 1 250 172	11.1	5/6	11 25 1 253 954	11.2	3/3
07 11 9 919 908	12.3	2/2	07 11 9 933 079	12.4	2/2	11 11 1 252 310	11.1	1/6	<del>11 14 1 250 181</del>	11.1	5/6	11 25 1 253 955	11.2	3/3
07 11 9 919 912	12.1	1/1	07 11 9 933 095	12.4	1/2	11 11 1 252 769	11.2	1/3	11 14 1 252 311	11.1	5/6	11 25 1 254 362	11.2	3/3
07 11 9 919 912	18.1	1/1	07 11 9 933 653	11.2	3/3	11 11 1 252 770	11.2	1/3	<del>11 14 1 253 244</del>	11.1	5/6	11 25 1 254 363	11.2	3/3
07 11 9 919 920	11.1	6/6	07 11 9 936 041	12.1	1/1	11 11 1 252 787	11.2	1/3	11 14 1 253 245	11.1	5/6	11 25 1 254 364	11.2	3/3
07 11 9 919 927	18.1	1/1	07 11 9 936 413	16.1	1/1	11 11 1 253 184	11.1	2/6	11 14 1 253 415	11.1	5/6	11 25 1 254 365	11.2	3/3
07 11 9 919 931	11.1	6/6	07 11 9 937 281	11.1	1/6	11 11 1 253 243	11.1	2/6	<del>11 14 1 253 635</del>	11.1	5/6	11 25 1 254 366	11.2	3/3
07 11 9 919 937	11.1	6/6	07 11 9 941 485	11.1	6/6	<del>11 11 1 254 084</del>	11.1	2/6	11 14 1 253 746	11.1	5/6	11 25 1 254 367	11.2	3/3
07 11 9 919 956	11.1	6/6	07 11 9 942 050	11.1	2/6	11 11 1 255 001	11.1	2/6	11 14 1 253 782	11.1	5/6	11 25 1 254 368	11.2	3/3
07 11 9 921 056	12.4	2/2	<del>07 11 9 942 050</del>	11.2	2/3	11 11 1 255 013	11.2	1/3	11 14 1 253 871	11.1	5/6	11 25 1 256 473	11.2	3/3
07 11 9 921 076	21.2+21.5	1/1	<del>07 11 9 942 060</del>	11.1	2/6	11 11 1 255 017	11.1	2/6	11 14 1 254 398	11.1	5/6	11 25 1 256 474	11.2	3/3
07 11 9 922 035	12.3	2/2	07 11 9 944 650	16.1	1/1	11 11 1 255 285	11.2	1/3	11 14 1 254 427	11.1	5/6	11 25 1 256 475	11.2	3/3
07 11 9 922 036	12.4	1/2	07 11 9 945 181	21.2+21.5	1/1	11 11 1 255 467	11.1	1/6	11 14 1 254 826	11.1	5/6	<del>11 31 0 930 110</del>	11.3	1/3
07 11 9 922 051	11.1	4/6	07 11 9 951 414	11.4	1/1	11 11 1 255 797	11.1	2/6	11 14 1 255 006	11.1	5/6	11 31 1 250 186	11.3	1/3
07 11 9 922 053	12.1	1/1	07 11 9 951 480	11.2	2/3	11 11 1 255 943	11.1	2/6	11 14 1 255 011	11.1	5/6	11 31 1 250 187	11.3	1/3
07 11 9 922 053	16.1	1/1	07 11 9 951 480	11.3	3/3	<del>11 11 1 255 944</del>	11.1	2/6	11 14 1 255 793	11.1	5/6	11 31 1 250 251	11.3	1/3
07 11 9 922 053	18.1	1/1	07 11 9 960 615	21.2+21.5	1/1	11 11 1 256 561	11.1	1/6	11 14 1 255 793	12.4	1/2	11 31 1 250 253	11.3	1/3
<del>07 11 9 922 081</del>	12.4	1/2	07 11 9 963 310	11.1	2/6	11 12 0 021 118	11.1	3/6	11 14 1 255 794	11.1	5/6	11 31 1 250 258	11.3	1/3
<del>07 11 9 922 082</del>	11.1	2/6	07 11 9 963 420	11.4	1/1	11 12 0 021 750	11.1	3/6	11 14 1 255 794	12.4	1/2	11 31 1 251 346	11.3	1/3
07 11 9 924 035	16.1	1/1	07 11 9 981 722	11.2	2/3	11 12 0 021 751	11.1	3/6	11 14 1 256 578	11.1	5/6	11 31 1 253 185	11.3	1/3
07 11 9 930 840	12.3	2/2	07 11 9 986 280	11.1	1/6	<del>11 12 0 021 752</del>	11.1	3/6	11 14 1 256 708	11.1	5/6	11 31 1 253 188	11.3	1/3
07 11 9 931 033	11.1	1/6	07 11 9 988 819	16.1	1/1	<del>11 12 0 021 753</del>	11.1	3/6	11 15 1 252 731	11.1	5/6	11 31 1 254 217	11.3	1/3



## Numerical index

## R 60/5 (Engine, Carburetor, Clutch)

Part numbers	Group	Page	Part numbers	Group	Page	Part numbers	Group	Page	Part numbers	Group	Page	Part numbers	Group	Page
11 31 1 256 563	11.3	1/3	12 12 1 353 084	12.1	1/1	12 41 8 620 126	12.4	2/2	<del>13 31 1 252 947</del>	12.1	1/1	18 12 1 230 428	18.1	1/1
11 31 1 256 928	11.3	1/3	12 12 8 036 124	12.1	1/1	12 41 8 620 136	12.4	2/2	13 72 1 251 169	13.7	1/1	18 12 1 230 429	18.1	1/1
11 32 1 250 264	11.3	2/3	12 12 8 036 157	12.1	1/1	12 41 8 620 158	12.4	2/2	13 72 1 251 611	13.7	1/1	18 21 1 230 432	18.1	1/1
11 32 1 250 267	11.3	2/3	12 12 8 036 160	12.1	1/1	13 11 0 039 165	13.1	2/3	13 72 1 251 612	13.7	1/1	18 21 1 230 584	18.1	1/1
<del>11 32 1 253 303</del>	11.3	2/3	12 12 8 536 120	12.1	1/1	13 11 0 039 178	13.1	2/3	13 72 1 253 717	13.7	1/1	18 21 1 230 585	18.1	1/1
11 32 1 255 805	11.3	2/3	12 12 8 636 167	12.1	1/1	13 11 0 039 182	13.1	2/3	13 72 1 253 720	13.7	1/1	18 21 1 230 586	18.1	1/1
11 33 0 034 128	11.3	2/3	12 12 8 636 169	12.1	1/1	13 11 0 039 216	13.1	2/3	13 72 1 253 925	13.7	1/1	18 21 1 230 587	18.1	1/1
11 33 0 034 178	11.3	2/3	<del>12 13 1 350 207</del>	12.1	1/1	13 11 0 039 247	13.1	2/3	13 72 1 254 042	13.7	1/1	21 21 0 070 155	21.2+21.5	1/1
11 33 1 250 239	11.3	2/3	12 13 1 351 584	12.1	1/1	13 11 0 039 284	13.1	2/3	13 72 1 254 200	13.1	1/3	21 21 0 070 157	21.2+21.5	1/1
11 33 1 250 259	11.3	2/3	12 13 1 354 147	12.1	1/1	13 11 1 251 616	13.1	1/3	13 72 1 254 382	13.7	1/1	21 21 0 070 182	21.2+21.5	1/1
11 33 1 250 261	11.3	2/3	12 13 8 031 705	12.1	1/1	13 11 1 251 617	13.1	1/3	13 72 1 256 654	13.7	1/1	21 21 0 070 511	21.2+21.5	1/1
11 33 1 252 143	11.3	2/3	12 31 1 350 769	12.3	1/2	13 11 1 254 083	16.1	1/1	13 72 1 256 654	13.1	1/3	21 21 1 251 801	21.2+21.5	1/1
11 33 1 252 628	11.3	2/3	12 31 1 350 786	12.3	1/2	13 11 1 254 730	13.1	2/3	13 72 1 256 655	13.7	1/1	21 21 1 251 803	21.2+21.5	1/1
<del>11 33 1 255 988</del>	11.1	1/6	12 31 1 350 787	12.3	1/2	<del>13 11 1 254 733</del>	13.1	2/3	13 72 1 256 655	13.1	1/3	21 51 1 230 090	21.2+21.5	1/1
<del>11 34 0 026 151</del>	11.3	3/3	12 31 1 351 585	12.3	1/2	13 11 1 254 735	13.1	2/3	16 11 1 230 030	16.1	1/1	21 51 1 230 104	21.2+21.5	1/1
<del>11 34 0 026 159</del>	11.3	3/3	12 31 8 002 345	12.3	1/2	13 11 1 254 765	13.1	2/3	16 11 1 230 031	16.1	1/1	21 51 1 230 108	21.2+21.5	1/1
11 34 0 026 724	11.3	3/3	12 31 8 002 346	12.3	1/2	13 11 1 254 766	13.1	2/3	16 11 1 230 045	16.1	1/1	21 51 1 230 109	21.2+21.5	1/1
<del>11 34 0 626 137</del>	11.3	3/3	12 31 8 002 347	12.3	1/2	13 11 1 254 767	13.1	2/3	16 11 1 230 048	16.1	1/1	21 52 1 020 109	21.2+21.5	1/1
11 34 1 250 233	11.3	3/3	12 31 8 002 348	12.3	1/2	13 11 1 254 768	13.1	2/3	16 11 1 230 049	16.1	1/1	21 52 1 080 122	21.2+21.5	1/1
11 34 1 252 495	11.3	3/3	12 31 8 002 349	12.3	1/2	13 11 1 254 909	13.1	2/3	16 11 1 230 506	16.1	1/1	23 21 1 230 106	21.2+21.5	1/1
11 34 1 254 300	11.3	3/3	12 31 8 002 350	12.3	1/2	13 11 1 254 910	13.1	2/3	16 11 1 230 600	16.1	1/1	23 21 1 230 107	21.2+21.5	1/1
11 34 1 256 678	11.3	3/3	12 31 8 002 351	12.3	1/2	13 11 1 254 911	13.1	2/3	16 11 1 230 603	16.1	1/1	23 21 1 230 440	21.2+21.5	1/1
11 34 1 256 679	11.3	3/3	12 32 1 350 052	12.3	1/2	13 11 1 254 912	13.1	2/3	16 11 1 230 763	16.1	1/1	23 21 1 230 961	21.2+21.5	1/1
11 41 0 052 874	11.4	1/1	12 32 1 350 226	12.3	1/2	13 11 1 254 913	13.1	2/3	16 11 1 230 769	16.1	1/1	23 21 1 230 962	21.2+21.5	1/1
11 41 0 552 280	11.4	1/1	12 32 1 352 472	12.3	1/2	13 11 1 254 914	13.1	2/3	16 11 1 230 883	16.1	1/1	34 21 3 060 174	13.7	1/1
11 41 0 652 120	11.1	2/6	12 32 8 008 512	12.3	1/2	13 11 1 254 917	13.1	2/3	16 11 1 231 026	16.1	1/1	41 35 5 780 222	13.7	1/1
11 41 0 652 128	11.1	2/6	12 41 1 350 246	12.4	1/2	13 11 1 254 918	13.1	2/3	16 11 1 231 027	16.1	1/1	51 14 1 254 107	11.1	5/6
11 41 1 250 272	11.4	1/1	12 41 1 350 775	12.4	1/2	13 11 1 254 919	13.1	2/3	16 11 1 231 028	16.1	1/1	<del>61 12 1 350 694</del>	12.4	1/2
11 41 1 250 274	11.4	1/1	12 41 1 351 590	12.4	1/2	13 11 1 254 920	13.1	2/3	16 11 1 231 029	16.1	1/1	<del>61 12 1 361 674</del>	12.4	1/2
11 41 1 252 223	11.4	1/1	12 41 1 352 524	12.4	2/2	13 11 1 254 921	13.1	2/3	16 11 1 231 030	16.1	1/1	61 12 1 353 312	12.4	1/2
11 41 1 252 226	11.4	1/1	12 41 1 352 525	12.4	2/2	13 11 1 254 922	13.1	2/3	16 11 1 231 031	16.1	1/1	61 12 1 353 313	12.4	1/2
11 41 1 253 293	11.4	1/1	12 41 1 352 526	12.4	2/2	13 11 1 254 923	13.1	3/3	16 11 1 231 032	16.1	1/1	61 13 1 352 095	12.4	1/2
11 41 1 253 294	11.4	1/1	12 41 1 352 527	12.4	2/2	13 11 1 254 924	13.1	3/3	16 11 1 231 097	16.1	1/1	61 13 8 061 761	12.1	1/1
11 42 1 250 282	11.4	1/1	12 41 1 352 528	12.4	2/2	13 11 1 254 925	13.1	3/3	16 11 1 232 223	16.1	1/1	<del>61 13 8 061 769</del>	12.1	1/1
11 42 1 250 284	11.4	1/1	12 41 1 352 529	12.4	2/2	13 11 1 254 926	13.1	3/3	16 12 4 084 008	16.1	1/1	61 13 8 061 781	12.1	1/1
11 42 1 250 285	11.4	1/1	12 41 1 352 530	12.4	2/2	13 11 1 254 927	13.1	3/3	16 12 4 084 109	16.1	1/1	<del>61 13 8 071 755</del>	12.1	1/1
11 42 1 251 300	11.4	1/1	12 41 1 352 532	12.4	2/2	13 11 1 254 928	13.1	3/3	16 12 4 084 110	16.1	1/1	61 31 1 351 799	11.1	1/6
11 42 1 253 919	11.4	1/1	12 41 1 352 533	12.4	2/2	13 11 1 254 929	13.1	3/3	16 12 4 084 111	16.1	1/1			
11 43 1 252 661	11.4	1/1	12 41 1 352 534	12.4	2/2	13 11 1 254 930	13.1	3/3	16 12 4 084 119	16.1	1/1			
12 11 1 351 564	12.1	1/1	12 41 1 352 535	12.4	2/2	13 11 1 254 931	13.1	3/3	16 12 4 084 120	16.1	1/1			
12 11 1 351 571	12.1	1/1	12 41 1 352 536	12.4	2/2	13 11 1 254 932	13.1	3/3	16 12 4 084 126	16.1	1/1			
12 11 1 353 226	12.1	1/1	12 41 1 352 537	12.4	2/2	13 11 1 254 933	13.1	3/3	16 12 4 680 115	12.1	1/1			
12 11 1 353 345	12.1	1/1	12 41 1 352 538	12.4	2/2	13 11 1 255 557	13.1	3/3	16 13 4 084 115	16.1	1/1			
12 11 1 353 639	12.1	1/1	12 41 1 352 539	12.4	2/2	13 11 1 255 816	13.1	3/3	18 11 1 230 433	18.1	1/1			
12 11 1 353 640	12.1	1/1	12 41 1 352 540	12.4	2/2	13 11 1 255 817	13.1	3/3	18 11 1 230 434	18.1	1/1			
12 11 8 536 129	12.1	1/1	12 41 1 352 541	12.4	2/2	13 11 1 255 836	13.1	3/3	18 11 1 230 638	18.1	1/1			
12 12 1 351 531	12.1	1/1	12 41 1 255 797	12.4	1/2	13 11 1 255 837	13.1	3/3	18 11 4 090 270	18.1	1/1			



# Numerical index

# R 75/5 (Engine, Carburetor, Clutch)

Part numbers	Group	Page	Part numbers	Group	Page	Part numbers	Group	Page	Part numbers	Group	Page	Part numbers	Group	Page
07 11 9 900 147	12.4	2/2	07 11 9 931 034	12.4	1/2	07 12 9 952 022	11.1	6/6	11 12 1 250 240	11.1	3/6	11 24 0 618 100	11.2	2/3
07 11 9 900 869	11.3	3/3	07 11 9 931 034	12.4	2/2	<del>07 12 9 952 553</del>	13.7	1/1	11 12 1 250 268	11.1	3/6	11 24 1 250 193	11.2	2/3
07 11 9 901 310	16.1	1/1	07 11 9 931 043	18.1	1/1	11 00 1 253 418	11.0	1/1	11 12 1 251 304	11.1	3/6	11 24 1 250 196	11.2	2/3
07 11 9 901 849	11.4	1/1	07 11 9 931 650	11.1	6/6	11 00 1 255 023	11.0	1/1	11 12 1 253 754	11.1	3/6	11 24 1 250 197	11.2	2/3
07 11 9 903 306	11.1	1/6	07 11 9 932 015	12.4	2/2	11 11 0 001 104	11.1	3/6	11 12 1 254 839	11.1	3/6	11 24 1 251 052	11.2	2/3
07 11 9 903 349	11.1	1/6	<del>07 11 9 932 030</del>	12.1	1/1	11 11 0 001 105	11.1	2/6	11 12 1 254 840	11.1	3/6	11 24 1 251 053	11.2	2/3
07 11 9 908 255	11.1	4/6	07 11 9 932 045	11.1	6/6	11 11 0 001 186	11.1	1/6	11 12 1 255 167	11.1	3/6	11 24 1 254 819	11.2	2/3
07 11 9 908 336	11.1	4/6	07 11 9 932 046	12.3	2/2	11 11 1 250 155	11.2	1/3	11 12 1 255 295	11.1	3/6	11 25 1 250 206	11.2	3/3
07 11 9 908 378	11.1	2/6	07 11 9 932 046	12.4	1/2	11 11 1 250 156	11.1	1/6	11 12 1 256 004	11.1	3/6	11 25 1 252 803	11.2	3/3
07 11 9 911 214	11.3	3/3	07 11 9 932 061	11.1	6/6	11 11 1 250 157	11.1	1/6	11 12 1 256 006	11.1	3/6	11 25 1 252 804	11.2	3/3
07 11 9 911 631	11.4	1/1	07 11 9 932 061	12.1	1/1	11 11 1 250 158	11.1	1/6	11 12 1 256 009	11.1	3/6	11 25 1 252 805	11.2	3/3
07 11 9 912 241	11.1	2/6	07 11 9 932 069	11.4	1/1	11 11 1 250 159	11.1	1/6	11 12 1 256 010	11.1	3/6	11 25 1 253 161	11.2	3/3
07 11 9 912 507	11.4	1/2	07 11 9 932 070	11.1	2/6	<del>11 11 1 250 166</del>	11.2	1/3	11 13 1 250 180	11.1	2/6	11 25 1 253 162	11.2	3/3
07 11 9 913 455	12.4	1/2	07 11 9 932 070	11.1	4/6	11 11 1 250 167	11.2	1/3	11 13 1 251 295	11.1	2/6	11 25 1 253 163	11.2	3/3
07 11 9 913 457	11.4	1/1	07 11 9 932 070	11.4	1/1	11 11 1 250 188	11.1	1/6	11 14 1 250 168	11.1	5/6	11 25 1 253 164	11.2	3/3
07 11 9 913 472	11.4	1/1	07 11 9 932 070	12.1	1/1	11 11 1 250 189	11.1	1/6	<del>11 14 1 250 169</del>	11.1	5/6	11 25 1 253 165	11.2	3/3
07 11 9 913 640	13.7	1/1	07 11 9 932 070	12.4	1/2	11 11 1 250 214	11.1	2/6	<del>11 14 1 250 171</del>	11.1	5/6	11 25 1 253 166	11.2	3/3
07 11 9 919 124	11.1	2/6	07 11 9 932 070	13.7	1/1	11 11 1 251 224	11.1	1/6	11 14 1 250 172	11.1	5/6	11 25 1 253 167	11.2	3/3
07 11 9 919 360	12.4	2/2	07 11 9 932 070	16.1	1/1	11 11 1 261 228	11.1	1/6	<del>11 14 1 250 181</del>	11.1	5/6	11 25 1 253 168	11.2	3/3
07 11 9 919 371	12.1	1/1	07 11 9 932 070	18.1	1/1	11 11 1 251 229	11.1	1/6	11 14 1 252 311	11.1	5/6	11 25 1 253 170	11.2	3/3
07 11 9 919 381	12.1	1/1	<del>07 11 9 932 082</del>	11.1	2/6	11 11 1 251 309	11.1	2/6	<del>11 14 1 253 244</del>	11.1	5/6	11 25 1 253 171	11.2	3/3
07 11 9 919 610	12.4	1/2	07 11 9 932 090	11.1	4/6	11 11 1 251 383	11.1	2/6	11 14 1 253 245	11.1	5/6	11 25 1 253 172	11.2	3/3
07 11 9 919 902	12.3	2/2	07 11 9 932 090	13.7	1/1	11 11 1 251 433	11.1	1/6	11 14 1 253 415	11.1	5/6	11 25 1 253 173	11.2	3/3
<del>07 11 9 919 902</del>	12.4	1/2	07 11 9 932 093	11.1	2/6	11 11 1 251 437	11.1	1/6	<del>11 14 1 253 635</del>	11.1	5/6	11 25 1 253 174	11.2	3/3
07 11 9 919 903	11.1	6/6	07 11 9 932 094	12.4	1/2	11 11 1 252 310	11.1	1/6	11 14 1 253 746	11.1	5/6	11 25 1 253 175	11.2	3/3
07 11 9 919 903	12.3	2/2	07 11 9 932 841	11.3	3/3	11 11 1 252 769	11.2	1/3	11 14 1 253 782	11.1	5/6	11 25 1 253 176	11.2	3/3
07 11 9 919 908	12.3	2/2	07 11 9 933 059	12.3	2/2	11 11 1 252 770	11.2	1/3	11 14 1 253 871	11.1	5/6	11 25 1 256 477	11.2	3/3
07 11 9 919 912	12.1	1/1	07 11 9 933 079	12.4	2/2	11 11 1 252 787	11.2	1/3	11 14 1 254 398	11.1	5/6	11 25 1 256 478	11.2	3/3
07 11 9 919 912	18.1	1/1	07 11 9 933 095	12.4	1/2	11 11 1 253 184	11.1	2/6	11 14 1 254 427	11.1	5/6	11 25 1 256 479	11.2	3/3
07 11 9 919 920	11.1	6/6	07 11 9 933 653	11.2	3/3	11 11 1 253 243	11.1	2/6	11 14 1 254 826	11.1	5/6	<del>11 31 0 030 110</del>	11.3	1/3
07 11 9 919 927	18.1	1/1	07 11 9 936 041	12.1	1/1	<del>11 11 1 254 084</del>	11.1	2/6	11 14 1 255 006	11.1	5/6	11 31 1 250 186	11.3	1/3
07 11 9 919 931	11.1	6/6	07 11 9 936 413	16.1	1/1	11 11 1 255 001	11.1	2/6	11 14 1 255 011	11.1	5/6	11 31 1 250 187	11.3	1/3
07 11 9 919 937	11.1	6/6	07 11 9 937 281	11.1	1/6	11 11 1 255 013	11.2	1/3	11 14 1 255 793	11.1	5/6	11 31 1 250 247	11.3	1/3
07 11 9 919 956	11.1	6/6	07 11 9 941 485	11.1	6/6	11 11 1 255 285	11.2	1/3	11 14 1 255 793	12.4	1/2	11 31 1 250 251	11.3	1/3
07 11 9 921 056	12.4	2/2	<del>07 11 9 942 050</del>	11.2	2/3	11 11 1 255 467	11.1	1/6	11 14 1 255 794	11.1	5/6	11 31 1 250 253	11.3	1/3
07 11 9 921 076	21.2+21.5	1/1	07 11 9 942 060	11.1	2/6	11 11 1 255 797	11.1	2/6	11 14 1 255 794	12.4	1/2	11 31 1 250 258	11.3	1/3
07 11 9 922 035	12.3	2/2	07 11 9 944 650	16.1	1/1	11 11 1 255 943	11.1	2/6	11 14 1 256 578	11.1	5/6	11 31 1 251 346	11.3	1/3
07 11 9 922 036	12.4	1/2	07 11 9 951 414	11.4	1/1	<del>11 11 1 255 944</del>	11.1	2/6	11 14 1 256 708	11.1	5/6	11 31 1 253 185	11.3	1/3
07 11 9 922 051	11.1	4/6	07 11 9 951 480	11.2	2/3	11 12 0 021 118	11.1	3/6	11 15 1 252 731	11.1	5/6	11 31 1 253 188	11.3	1/3
07 11 9 922 053	12.1	1/1	07 11 9 951 480	11.3	3/3	11 12 0 022 166	11.1	3/6	11 15 1 252 733	11.1	5/6	11 31 1 256 563	11.3	1/3
07 11 9 922 053	16.1	1/1	07 11 9 960 615	21.2+21.5	1/1	11 12 0 023 150	11.1	3/6	<del>11 15 1 252 734</del>	11.1	5/6	11 31 1 256 928	11.3	1/3
07 11 9 922 053	18.1	1/1	07 11 9 963 310	11.1	2/6	11 12 0 023 160	11.1	3/6	11 15 1 255 146	11.1	5/6	11 32 1 250 264	11.3	2/3
07 11 9 922 054	13.7	1/1	07 11 9 963 420	11.4	1/1	11 12 0 250 221	11.1	3/6	<del>11 21 1 250 190</del>	11.2	1/3	11 32 1 250 267	11.3	2/3
<del>07 11 9 922 084</del>	12.4	1/2	07 11 9 981 722	11.2	2/3	11 12 1 250 224	11.1	3/6	11 21 1 250 198	11.2	1/3	<del>11 32 1 253 303</del>	11.3	2/3
07 11 9 924 036	16.1	1/1	07 11 9 986 280	11.1	1/6	11 12 1 250 227	11.1	3/6	11 21 1 255 290	11.2	1/3	11 32 1 255 805	11.3	2/3
07 11 9 930 840	12.3	2/2	07 11 9 988 819	16.1	1/1	11 12 1 250 232	11.1	3/6	11 22 0 016 759	11.2	1/3	11 33 0 034 128	11.3	2/3
07 11 9 931 033	11.1	1/6	07 12 9 934 317	11.1	1/6	11 12 1 250 237	11.1	3/6	11 22 1 251 732	11.2	1/3	11 33 0 034 178	11.3	2/3



# Numerical index

# R 75/5 (Engine, Carburetor, Clutch)

Part numbers	Group	Page	Part numbers	Group	Page	Part numbers	Group	Page	Part numbers	Group	Page	Part numbers	Group	Page
11 33 1 250 239	11.3	2/3	12 13 1 351 584	12.1	1/1	13 11 1 254 729	13.1	2/3	13 11 1 255 534	13.1	3/3	16 12 4 084 111	16.1	1/1
11 33 1 250 259	11.3	2/3	12 31 1 350 769	12.3	1/2	13 11 1 254 730	13.1	2/3	13 11 1 255 535	13.1	3/3	16 12 4 084 119	16.1	1/1
11 33 1 250 261	11.3	2/3	12 31 1 350 786	12.3	1/2	13 11 1 254 731	13.1	2/3	13 11 1 256 353	13.1	3/3	16 12 4 084 120	16.1	1/1
11 33 1 252 143	11.3	2/3	12 31 1 350 787	12.3	1/2	13 11 1 254 732	13.1	2/3	13 11 1 256 612	13.1	2/3	16 12 4 084 126	16.1	1/1
11 33 1 252 628	11.3	2/3	12 31 1 351 585	12.3	1/2	<del>13 11 1 254 733</del>	13.1	2/3	13 11 1 256 731	13.1	1/3	16 12 4 680 115	12.1	1/1
<del>11 33 1 255 088</del>	11.1	1/6	12 31 8 002 345	12.3	1/2	13 11 1 254 734	13.1	2/3	13 11 1 256 732	13.1	1/3	16 13 1 354 147	12.1	1/1
11 34 0 026 724	11.3	3/3	12 31 8 002 346	12.3	1/2	13 11 1 254 735	13.1	2/3	13 23 1 252 812	13.1	1/3	16 13 4 084 115	16.1	1/1
<del>11 34 0 626 137</del>	11.3	3/3	12 31 8 002 347	12.3	1/2	13 11 1 254 736	13.1	2/3	13 23 1 252 825	13.1	1/3	18 11 1 230 433	18.1	1/1
11 34 1 250 233	11.3	3/3	12 31 8 002 348	12.3	1/2	13 11 1 254 737	13.1	2/3	13 23 1 252 826	13.1	1/3	18 11 1 230 434	18.1	1/1
11 34 1 250 234	11.3	3/3	12 31 8 002 349	12.3	1/2	13 11 1 254 738	13.1	2/3	13 23 1 252 827	13.1	1/3	18 11 1 230 638	18.1	1/1
11 34 1 250 245	11.3	3/3	12 31 8 002 350	12.3	1/2	13 11 1 254 739	13.1	2/3	13 23 1 255 976	13.1	1/3	18 11 4 090 270	18.1	1/1
11 34 1 252 495	11.3	3/3	12 31 8 002 351	12.3	1/2	13 11 1 254 740	13.1	2/3	13 23 1 255 977	13.1	1/3	18 12 1 230 428	18.1	1/1
11 34 1 254 300	11.3	3/3	12 32 1 350 052	12.3	1/2	13 11 1 254 741	13.1	2/3	13 23 1 256 017	13.1	1/3	18 12 1 230 429	18.1	1/1
11 41 0 052 874	11.4	1/1	12 32 1 350 226	12.3	1/2	13 11 1 254 743	13.1	2/3	13 23 1 256 018	13.1	1/3	18 21 1 230 432	18.1	1/1
11 41 0 552 280	11.4	1/1	12 32 1 352 472	12.3	1/2	13 11 1 254 745	13.1	2/3	<del>13 31 1 252 947</del>	12.1	1/1	18 21 1 230 584	18.1	1/1
11 41 0 652 120	11.1	2/6	12 32 8 008 512	12.3	1/2	13 11 1 254 746	13.1	2/3	13 72 1 250 653	13.7	1/1	18 21 1 230 585	18.1	1/1
11 41 0 652 128	11.1	2/6	12 41 1 255 797	12.4	1/2	13 11 1 254 747	13.1	2/3	13 72 1 250 654	13.7	1/1	18 21 1 230 586	18.1	1/1
11 41 1 250 272	11.4	1/1	12 41 1 350 246	12.4	1/2	13 11 1 254 750	13.1	2/3	13 72 1 251 169	13.7	1/1	18 21 1 230 587	18.1	1/1
11 41 1 250 274	11.4	1/1	12 41 1 350 775	12.4	1/2	13 11 1 254 751	13.1	2/3	13 72 1 253 717	13.7	1/1	<del>21 21 0 070 155</del>	21.2+21.5	1/1
11 41 1 252 223	11.4	1/1	12 41 1 351 590	12.4	1/2	13 11 1 254 752	13.1	2/3	13 72 1 253 720	13.7	1/1	21 21 0 070 157	21.2+21.5	1/1
11 41 1 252 226	11.4	1/1	12 41 1 352 524	12.4	2/2	13 11 1 254 753	13.1	2/3	13 72 1 253 925	13.7	1/1	21 21 0 070 511	21.2+21.5	1/1
11 41 1 253 293	11.4	1/1	12 41 1 352 525	12.4	2/2	13 11 1 254 755	13.1	3/3	13 72 1 254 042	13.7	1/1	21 21 1 231 463	21.2+21.5	1/1
11 41 1 253 294	11.4	1/1	12 41 1 352 526	12.4	2/2	13 11 1 254 757	13.1	3/3	13 72 1 254 382	13.7	1/1	21 21 1 250 288	21.2+21.5	1/1
11 42 1 250 282	11.4	1/1	12 41 1 352 527	12.4	2/2	13 11 1 254 758	13.1	3/3	13 72 1 254 654	13.1	1/3	21 21 1 251 801	21.2+21.5	1/1
11 42 1 250 284	11.4	1/1	12 41 1 352 528	12.4	2/2	13 11 1 254 759	13.1	2/3	13 72 1 256 654	13.7	1/1	21 21 1 251 803	21.2+21.5	1/1
11 42 1 250 285	11.4	1/1	12 41 1 352 529	12.4	2/2	13 11 1 254 759	13.1	3/3	16 11 1 230 030	16.1	1/1	21 51 1 230 090	21.2+21.5	1/1
11 42 1 251 300	11.4	1/1	12 41 1 352 530	12.4	2/2	13 11 1 254 760	13.1	2/3	16 11 1 230 031	16.1	1/1	21 51 1 230 104	21.2+21.5	1/1
11 42 1 253 919	11.4	1/1	12 41 1 352 532	12.4	2/2	13 11 1 254 760	13.1	3/3	16 11 1 230 045	16.1	1/1	21 51 1 230 108	21.2+21.5	1/1
11 43 1 252 661	11.4	1/1	12 41 1 352 533	12.4	2/2	13 11 1 254 761	13.1	3/3	16 11 1 230 048	16.1	1/1	21 51 1 230 109	21.2+21.5	1/1
<del>12 11 1 351 246</del>	12.1	1/1	12 41 1 352 534	12.4	2/2	13 11 1 254 762	13.1	3/3	16 11 1 230 049	16.1	1/1	21 52 1 020 109	21.2+21.5	1/1
12 11 1 351 564	12.1	1/1	12 41 1 352 535	12.4	2/2	13 11 1 254 763	13.1	3/3	16 11 1 230 506	16.1	1/1	21 52 1 080 122	21.2+21.5	1/1
12 11 1 351 571	12.1	1/1	12 41 1 352 536	12.4	2/2	13 11 1 254 764	13.1	3/3	16 11 1 230 600	16.1	1/1	23 21 1 230 106	21.2+21.5	1/1
12 11 1 353 226	12.1	1/1	12 41 1 352 537	12.4	2/2	13 11 1 254 765	13.1	3/3	16 11 1 230 603	16.1	1/1	23 21 1 230 107	21.2+21.5	1/1
12 11 1 353 345	12.1	1/1	12 41 1 352 538	12.4	2/2	13 11 1 254 766	13.1	3/3	16 11 1 230 763	16.1	1/1	23 21 1 230 440	21.2+21.5	1/1
12 11 1 353 639	12.1	1/1	12 41 1 352 539	12.4	2/2	13 11 1 254 767	13.1	3/3	16 11 1 230 769	16.1	1/1	23 21 1 230 961	21.2+21.5	1/1
12 11 1 353 640	12.1	1/1	12 41 1 352 540	12.4	2/2	13 11 1 254 768	13.1	3/3	16 11 1 230 883	16.1	1/1	23 21 1 230 962	21.2+21.5	1/1
12 11 8 536 129	12.1	1/1	12 41 1 352 541	12.4	2/2	13 11 1 254 769	13.1	3/3	16 11 1 231 026	16.1	1/1	34 21 3 060 174	13.7	1/1
12 12 1 351 531	12.1	1/1	12 41 8 620 126	12.4	2/2	13 11 1 254 771	13.1	3/3	16 11 1 231 027	16.1	1/1	51 14 1 254 108	11.1	5/6
12 12 1 353 084	12.1	1/1	12 41 8 620 136	12.4	2/2	13 11 1 254 772	13.1	3/3	16 11 1 231 028	16.1	1/1	<del>61 12 1 350 694</del>	12.4	1/2
12 12 8 036 124	12.1	1/1	12 41 8 620 158	12.4	2/2	13 11 1 254 773	13.1	3/3	16 11 1 231 029	16.1	1/1	<del>61 12 1 351 671</del>	12.4	1/2
12 12 8 036 157	12.1	1/1	13 11 0 039 178	13.1	2/3	13 11 1 254 774	13.1	3/3	16 11 1 231 030	16.1	1/1	61 12 1 353 312	12.4	1/2
12 12 8 036 160	12.1	1/1	13 11 0 039 182	13.1	2/3	13 11 1 254 775	13.1	3/3	16 11 1 231 031	16.1	1/1	61 12 1 353 313	12.4	1/2
12 12 8 536 120	12.1	1/1	13 11 1 253 857	13.1	1/3	13 11 1 254 776	13.1	2/3	16 11 1 231 032	16.1	1/1	61 13 1 352 095	12.4	1/2
12 12 8 636 166	12.1	1/1	13 11 1 253 858	13.1	1/3	13 11 1 254 776	13.1	3/3	16 11 1 231 097	16.1	1/1	61 13 8 061 761	12.1	1/1
12 12 8 636 168	12.1	1/1	13 11 1 254 083	16.1	1/1	13 11 1 254 777	13.1	3/3	16 11 1 231 223	16.1	1/1	<del>61 13 8 061 769</del>	12.1	1/1
12 13 8 031 705	12.1	1/1	13 11 1 254 702	13.1	2/3	13 11 1 254 779	13.1	3/3	16 12 4 084 008	16.1	1/1	61 13 8 061 781	12.1	1/1
<del>12 13 1 350 207</del>	12.1	1/1	13 11 1 254 703	13.1	2/3	13 11 1 255 532	13.1	3/3	16 12 4 084 109	16.1	1/1	<del>61 13 8 071 765</del>	12.1	1/1
			13 11 1 254 908	13.1	3/3	13 11 1 255 533	13.1	3/3	16 12 4 084 110	16.1	1/1	61 31 1 351 799	11.1	1/6





# Numerical index

# R 50/5 R 60/5 R 75/5

Part numbers	Group	Page	Part numbers	Group	Page	Part numbers	Group	Page	Part numbers	Group	Page	Part numbers	Group	Page
07 11 9 900 810	52.5	1/2	07 11 9 913 640	61.1-61.3	2/2	07 11 9 922 053	63.2	2/2	07 11 9 932 070	23.1	1/1	07 11 9 936 135	23.3+23.4	2/2
07 11 9 900 810	52.5	2/2	07 11 9 913 654	63.1	2/2	07 11 9 922 054	23.3+23.4	2/2	07 11 9 932 070	23.2	2/3	07 11 9 936 406	52.5	1/2
07 11 9 900 650	52.5	2/2	07 11 9 913 656	46.5-46.7	3/7	07 11 9 922 058	46.5-46.7	7/7	<del>07 11 9 932 070</del>	31.4	3/3	07 11 9 936 415	52.5	1/2
07 11 9 901 763	46.5-46.7	5/7	<del>07 11 9 913 819</del>	46.5-46.7	3/7	07 11 9 922 081	23.5	1/1	07 11 9 932 070	34.1	1/1	07 11 9 936 406	52.5	2/2
<del>07 11 9 901 763</del>	52.5	1/2	07 11 9 913 831	61.3+63.1	2/2	07 11 9 922 081	26.1+33.4	1/1	07 11 9 932 070	34.2+35.2	1/1	07 11 9 936 414	52.5	2/2
07 11 9 901 771	52.5	1/2	07 11 9 913 854	33.5	1/2	07 11 9 922 081	31.4	3/3	07 11 9 932 070	36.3	2/2	07 11 9 936 415	52.5	2/2
07 11 9 901 820	52.5	1/2	07 11 9 913 878	46.5-46.7	3/7	07 11 9 922 081	33.1	3/4	07 11 9 932 070	46.5-46.7	3/7	07 11 9 936 426	46.5-46.7	5/7
07 11 9 905 660	23.3+23.4	2/2	07 11 9 919 124	23.1	1/1	07 11 9 922 081	46.5-46.7	3/7	07 11 9 932 070	46.5-46.7	5/7	07 11 9 936 426	46.5-46.7	7/7
07 11 9 906 014	71.1	1/1	07 11 9 919 124	33.1	3/4	07 11 9 922 081	61.1-61.3	2/2	07 11 9 932 070	65.6	1/1	07 11 9 936 426	52.5	2/2
07 11 9 906 020	71.1	1/1	07 11 9 919 226	33.1	3/4	07 11 9 922 094	31.4	3/3	07 11 9 932 070	46.5-46.7	3/7	07 11 9 941 332	46.5-46.7	3/7
07 11 9 906 026	71.1	1/1	07 11 9 919 381	61.1-61.3	2/2	07 11 9 922 110	33.5	1/2	07 11 9 932 080	46.5-46.7	3/7	07 11 9 941 475	31.4	3/3
07 11 9 906 032	71.1	1/1	<del>07 11 9 919 386</del>	61.1-61.3	2/2	07 11 9 922 110	46.5-46.7	3/7	07 11 9 932 090	23.5	1/1	07 11 9 944 624	46.5-46.7	3/7
07 11 9 907 101	32.7	2/2	07 11 9 919 901	61.1-61.3	2/2	07 11 9 922 110	61.3+63.1	2/2	07 11 9 932 090	26.1+33.4	1/1	07 11 9 944 650	52.5	1/2
07 11 9 907 450	32.7	2/2	<del>07 11 9 919 910</del>	31.4	3/3	07 11 9 922 110	63.1+71.6	1/1	07 11 9 932 090	31.4	3/3	07 11 9 947 168	36.3	2/2
07 11 9 907 603	52.5	1/2	07 11 9 919 910	46.5-46.7	3/7	07 11 9 922 148	46.5-46.7	3/7	07 11 9 932 090	33.1	3/4	07 11 9 948 051	52.5	2/2
07 11 9 907 611	33.1	3/4	07 11 9 919 917	31.4	3/3	07 11 9 922 110	46.5-46.7	5/7	07 11 9 932 090	34.1	1/1	07 11 9 960 260	34.2+35.2	1/1
07 11 9 907 626	61.3+63.1	2/2	07 11 9 919 918	34.1	1/1	07 11 9 922 417	31.4	3/3	07 11 9 932 093	31.4	3/3	07 11 9 963 002	63.2	2/2
07 11 9 907 626	65.6	1/1	07 11 9 919 921	34.2+35.2	1/1	07 11 9 922 417	46.5-46.7	5/7	07 11 9 932 094	46.5-46.7	6/7	07 11 9 963 047	31.4	3/3
07 11 9 907 639	52.5	1/2	07 11 9 919 942	23.3+23.4	2/2	<del>07 11 9 922 420</del>	46.5-46.7	3/7	07 11 9 932 103	26.1+33.4	1/1	07 11 9 963 140	33.1	3/4
07 11 9 907 642	63.2	2/2	07 11 9 919 971	46.5-46.7	3/7	07 11 9 922 426	46.5-46.7	6/7	07 11 9 932 103	33.5	1/2	07 11 9 963 310	33.1	3/4
07 11 9 907 687	61.3+63.1	2/2	07 11 9 919 978	31.4	3/3	07 11 9 922 426	46.5-46.7	5/7	07 11 9 932 103	46.5-46.7	3/7	07 11 9 963 213	23.1	1/1
07 11 9 907 741	63.1	2/2	07 11 9 919 984	31.4	3/3	07 11 9 922 428	34.1	1/1	07 11 9 932 103	63.1+71.6	1/1	07 11 9 963 213	33.1	3/4
07 11 9 907 791	32.7	2/2	07 11 9 921 019	52.5	1/2	07 11 9 922 430	31.4	3/3	<del>07 11 9 932 111</del>	26.1+33.4	1/1	07 11 9 963 310	23.1	1/1
07 11 9 908 255	23.1	1/1	07 11 9 921 019	52.5	2/2	07 11 9 922 430	34.2+35.2	1/1	07 11 9 932 111	34.2+35.2	1/1	07 11 9 963 385	31.4	3/3
07 11 9 908 325	31.4	3/3	07 11 9 921 038	63.2	2/2	07 11 9 930 070	36.3	2/2	07 11 9 932 111	46.5-46.7	3/7	07 11 9 963 489	31.4	3/3
07 11 9 908 385	31.4	3/3	07 11 9 921 411	63.1	2/2	07 11 9 930 840	26.1+33.4	1/1	07 11 9 932 111	61.3+63.1	2/2	07 11 9 975 260	63.1+71.6	1/1
07 11 9 908 308	33.1	3/4	07 11 9 921 605	34.1	1/1	07 11 9 931 033	46.5-46.7	5/7	07 11 9 932 131	46.5-46.7	3/7	07 11 9 977 621	63.1	2/2
07 11 9 908 370	33.1	3/4	07 11 9 921 615	33.5	1/2	07 11 9 931 043	23.3+23.4	2/2	07 11 9 932 160	23.2	2/3	07 11 9 978 017	63.1+71.6	1/1
07 11 9 908 391	33.1	3/4	07 11 9 921 631	26.1+33.4	1/1	07 11 9 931 043	46.5-46.7	5/7	07 11 9 932 670	31.4	3/3	07 11 9 978 055	61.3+63.1	2/2
07 11 9 910 405	46.5-46.7	5/7	07 11 9 921 631	34.1	1/1	07 11 9 931 043	63.2	2/2	07 11 9 933 035	63.1	2/2	07 11 9 978 254	63.1	2/2
07 11 9 912 282	63.2	2/2	07 11 9 921 635	33.1	3/4	07 11 9 931 065	23.3+23.4	2/2	07 11 9 933 046	63.2	2/2	07 11 9 978 256	63.1	2/2
07 11 9 912 303	36.3	2/2	07 11 9 922 017	52.5	2/2	07 11 9 931 065	23.5	1/1	07 11 9 933 079	52.5	2/2	07 11 9 978 279	62.1+63.1	1/1
07 11 9 912 326	46.5-46.7	7/7	07 11 9 922 027	63.1	2/2	07 11 9 931 065	61.1-61.3	2/2	07 11 9 933 095	61.1-61.3	2/2	07 11 9 978 370	63.2	2/2
07 11 9 912 477	26.1+33.4	1/1	07 11 9 922 027	61.3+63.1	2/2	07 11 9 931 077	46.5-46.7	3/7	07 11 9 933 109	61.3+63.1	2/2	07 11 9 978 384	63.2	2/2
<del>07 11 9 912 556</del>	23.3+23.4	2/2	07 11 9 922 035	52.5	1/2	07 11 9 931 077	61.3+63.1	2/2	07 11 9 934 060	23.3+23.4	2/2	07 11 9 978 396	63.1	2/2
<del>07 11 9 912 629</del>	33.5	1/2	07 11 9 922 035	52.5	2/2	07 11 9 931 650	31.4	3/3	07 11 9 934 066	34.1	1/1	07 11 9 981 214	23.2	2/3
07 11 9 913 228	52.5	2/2	07 11 9 922 035	61.3+63.1	2/2	07 11 9 931 668	31.4	3/3	07 11 9 934 071	23.3+23.4	2/2	07 11 9 981 219	23.2	2/3
07 11 9 913 441	52.5	2/2	07 11 9 922 050	65.6	1/1	07 11 9 931 826	46.5-46.7	3/7	07 11 9 934 080	23.5	1/1	07 11 9 981 505	23.2	2/3
<del>07 11 9 913 456</del>	34.2+35.2	1/1	07 11 9 922 050	65.6	1/1	07 11 9 932 015	33.1	3/4	07 11 9 934 100	23.2	2/3	07 11 9 981 760	33.1	3/4
07 11 9 913 455	46.5-46.7	5/7	07 11 9 922 053	23.1	1/1	07 11 9 932 019	52.5	1/2	07 11 9 934 120	23.3+23.4	2/2	07 11 9 982 410	23.2	2/3
07 11 9 913 470	46.5-46.7	5/7	07 11 9 922 053	23.3+23.4	2/2	07 11 9 932 041	52.5	1/2	07 11 9 934 185	23.2	2/3	07 11 9 985 005	26.1+33.4	1/1
07 11 9 913 472	46.5-46.7	7/7	07 11 9 922 053	32.7	2/2	07 11 9 932 046	61.1-61.3	2/2	07 11 9 934 650	31.4	3/3	07 11 9 985 005	36.3	2/2
07 11 9 913 476	46.5-46.7	5/7	07 11 9 922 053	34.2+35.2	1/1	07 11 9 932 046	61.3+63.1	2/2	07 11 9 936 036	61.3+63.1	2/2	07 11 9 985 070	31.4	3/3
07 11 9 913 476	63.2	2/2	07 11 9 922 053	46.5-46.7	5/7	07 11 9 932 046	62.1+63.1	1/1	07 11 9 936 041	61.1-61.3	2/2	07 11 9 986 280	31.4	3/3
07 11 9 913 480	52.5	2/2	07 11 9 922 053	46.5-46.7	7/7	07 11 9 932 046	65.6	1/1	07 11 9 936 111	32.7	2/2	07 11 9 999 111	71.1	1/1
07 11 9 913 480	63.1+71.6	1/1	07 11 9 922 053	52.5	2/2	07 11 9 932 061	46.5-46.7	7/7	07 11 9 936 131	32.7	2/2	07 11 9 999 119	71.1	1/1
07 11 9 913 620	46.5-46.7	6/7	07 11 9 922 053	63.1+71.6	1/1	07 11 9 932 061	63.2	2/2	07 11 9 936 131	63.1+71.6	1/1	07 11 9 999 122	71.1	1/1



# Numerical index

# R 50/5 R 60/5 R 75/5

Part numbers	Group	Page	Part numbers	Group	Page	Part numbers	Group	Page	Part numbers	Group	Page	Part numbers	Group	Page
07 12 9 934 331	31.4	3/3	23 21 1 230 450	23.2	1/3	23 31 1 066 268	23.3+23.4	1/2	31 42 1 230 664	31.4	1/3	31 42 2 000 390	31.4	2/3
07 12 9 934 954	34.2+35.2	1/1	23 21 1 230 451	23.2	1/3	<del>23 31 1 066 270</del>	23.3+23.4	1/2	31 42 1 230 665	31.4	1/3	31 42 2 000 391	31.4	2/3
11 11 0 001 104	26.1+33.4	1/1	23 21 1 230 452	23.2	1/3	23 31 1 066 275	23.3+23.4	1/2	31 42 1 230 666	31.4	1/3	31 42 2 000 392	31.4	2/3
11 13 0 007 163	23.1	1/1	23 21 1 230 454	23.2	1/3	23 31 1 066 290	23.3+23.4	1/2	31 42 1 230 696	31.4	1/3	31 42 2 000 399	31.4	2/3
11 13 0 007 163	33.1	1/4	23 21 1 230 455	23.2	1/3	23 31 1 230 086	23.3+23.4	1/2	31 42 1 230 697	31.4	1/3	31 42 2 002 115	31.4	2/3
12 12 8 036 150	32.7	1/2	23 21 1 230 456	23.2	1/3	23 31 1 230 092	23.3+23.4	1/2	31 42 1 230 698	31.4	1/3	31 41 2 003 331	26.1+33.4	1/1
13 11 0 042 111	32.7	1/2	23 21 1 230 961	23.2	1/3	23 31 1 230 093	23.3+23.4	1/2	31 42 1 230 751	31.4	1/3	32 21 2 077 718	33.5	1/2
13 72 8 042 132	65.6	1/1	23 21 1 230 962	23.2	1/3	23 31 1 230 094	23.3+23.4	1/2	31 42 1 230 799	31.4	1/3	32 31 1 230 102	23.3+23.4	1/2
<del>21 51 1 020 104</del>	23.2	1/3	23 21 1 230 966	23.2	2/3	23 31 1 230 098	23.3+23.4	1/2	<del>31 42 1 230 816</del>	31.4	1/3	32 32 9 016 007	52.5	1/2
21 52 1 020 109	23.2	1/3	23 21 1 230 967	23.2	2/3	23 31 1 230 100	23.3+23.4	1/2	31 42 1 231 014	31.4	1/3	<del>32 32 9 016 010</del>	52.5	1/2
<del>21 52 1 080 134</del>	23.2	1/3	23 21 1 230 968	23.2	2/3	23 31 1 230 687	23.3+23.4	1/2	31 42 1 231 014	61.3+63.1	1/2	32 32 9 016 101	52.5	1/2
23 00 1 230 050	23.0	1/1	23 21 1 230 969	23.2	2/3	23 31 1 230 688	23.3+23.4	1/2	31 42 1 231 015	31.4	1/3	32 32 9 016 104	52.5	1/2
23 00 1 230 911	23.0	1/1	23 21 1 231 303	23.2	2/3	23 31 1 230 689	23.3+23.4	1/2	31 42 1 231 015	61.3+63.1	1/2	32 32 9 016 105	52.5	1/2
23 11 1 006 124	23.1	1/1	23 21 1 231 363	23.2	1/3	23 31 1 230 935	23.3+23.4	1/2	31 42 1 231 016	31.4	1/3	32 32 9 016 107	52.5	1/2
23 11 1 006 174	23.1	1/1	23 21 1 231 392	23.2	2/3	23 31 1 231 258	23.3+23.4	1/2	31 42 1 231 016	61.3+63.1	1/2	32 71 1 230 742	32.7	1/2
23 11 1 012 100	23.1	1/1	23 21 1 231 393	23.2	2/3	23 31 1 231 259	23.3+23.4	1/2	31 42 1 231 017	31.4	1/3	32 72 1 230 400	32.7	1/2
23 11 1 230 052	23.1	1/1	23 22 1 030 112	23.2	2/3	23 41 1 066 102	23.3+23.4	1/2	31 42 1 231 017	61.3+63.1	1/2	32 72 1 230 401	32.7	1/2
23 11 1 230 054	23.1	1/1	23 22 1 030 176	23.2	2/3	23 41 1 066 178	23.3+23.4	2/2	31 42 1 231 018	31.4	1/3	32 72 1 230 404	32.7	1/2
23 11 1 230 453	23.1	1/1	23 22 1 030 259	23.2	2/3	23 41 1 066 245	23.3+23.4	2/2	31 42 1 231 018	61.3+63.1	1/2	32 72 1 230 407	32.7	1/2
23 11 1 230 599	23.2	1/3	23 22 1 040 104	23.2	2/3	23 41 1 230 811	23.3+23.4	2/2	31 42 1 231 019	31.4	1/3	<del>32 72 1 230 412</del>	32.7	1/2
<del>23 12 1 200 430</del>	23.2	1/3	23 22 1 056 104	23.5	1/1	23 41 1 230 812	23.3+23.4	2/2	31 42 1 231 019	61.3+63.1	1/2	32 72 1 230 866	32.7	1/2
23 12 1 230 075	23.2	1/3	23 22 1 056 108	23.5	1/1	23 41 1 230 813	23.3+23.4	2/2	31 42 1 231 020	31.4	1/3	32 72 1 230 867	32.7	1/2
23 12 1 230 087	23.1	1/1	23 22 1 230 058	23.2	2/3	23 41 1 666 124	34.2+35.2	1/1	31 42 1 231 020	61.3+63.1	1/2	32 72 1 230 868	32.7	1/2
23 12 1 230 088	23.1	1/1	23 22 1 230 060	23.2	2/3	23 51 1 006 135	23.1	1/1	31 42 1 231 021	31.4	1/3	32 72 1 230 869	32.7	1/2
23 12 1 231 493	23.2	1/3	23 22 1 230 060	23.2	3/3	23 51 1 056 112	23.5	1/1	31 42 1 231 021	61.3+63.1	1/2	32 72 1 230 870	32.7	1/2
23 21 1 020 148	23.2	1/3	23 22 1 230 062	23.2	2/3	23 51 1 056 116	23.5	1/1	31 42 1 231 221	31.4	1/3	32 72 1 230 871	32.7	1/2
23 21 1 020 160	23.2	1/3	23 22 1 230 064	23.2	2/3	23 51 1 056 124	23.5	1/1	31 42 1 231 222	31.4	1/3	32 72 1 230 872	32.7	1/2
<del>23 21 1 020 164</del>	23.2	1/3	23 22 1 230 066	23.2	2/3	23 51 1 056 274	23.5	1/1	31 42 2 000 310	31.4	2/3	32 72 1 230 873	32.7	1/2
23 21 1 030 116	23.2	1/3	23 22 1 230 068	23.2	2/3	23 51 1 230 055	23.5	1/1	31 42 2 000 311	31.4	2/3	32 72 1 230 874	32.7	1/2
23 21 1 230 057	23.2	1/3	23 22 1 231 205	23.2	3/3	26 11 1 230 084	26.1+33.4	1/1	31 42 2 000 312	31.4	2/3	32 72 1 230 875	32.7	1/2
23 21 1 230 077	23.2	1/3	23 22 1 231 206	23.2	3/3	26 11 1 230 284	26.1+33.4	1/1	31 42 2 000 315	31.4	2/3	32 72 1 230 876	32.7	1/2
23 21 1 230 079	23.2	1/3	23 22 1 231 209	23.2	3/3	26 11 1 230 305	26.1+33.4	1/1	31 42 2 000 349	31.4	2/3	32 72 1 230 877	32.7	1/2
23 21 1 230 080	23.2	1/3	23 22 1 231 210	23.2	3/3	26 11 1 230 414	26.1+33.4	1/1	31 42 2 000 360	31.4	2/3	32 72 1 230 878	32.7	1/2
23 21 1 230 081	23.2	1/3	23 22 1 231 211	23.2	3/3	<del>26 73 1 230 814</del>	31.4	1/3	31 42 2 000 361	31.4	2/3	32 72 1 231 150	32.7	1/2
23 21 1 230 082	23.2	1/3	<del>23 31 1 066 130</del>	23.3+23.4	1/2	<del>26 73 1 230 815</del>	31.4	1/3	31 42 2 000 367	31.4	2/3	32 72 2 072 220	32.7	1/2
23 21 1 230 084	23.2	1/3	23 31 1 066 131	23.2+23.4	1/2	31 32 9 196 902	31.4	1/3	31 42 2 000 371	31.4	2/3	32 72 2 072 223	32.7	1/2
23 21 1 230 085	23.2	1/3	<del>23 31 1 066 134</del>	23.3+23.4	1/2	31 32 9 196 902	31.4	3/3	31 42 2 000 373	31.4	2/3	32 72 2 072 259	32.7	1/2
23 21 1 230 085	23.2	3/3	23 31 1 066 142	23.2	2/3	31 42 1 230 001	31.4	1/3	31 42 2 000 374	31.4	2/3	32 72 2 072 261	32.7	1/2
23 21 1 230 089	23.2	1/3	23 31 1 006 142	23.3+23.4	1/2	<del>31 42 1 230 416</del>	31.4	1/3	31 42 2 000 376	31.4	2/3	32 72 2 072 409	65.6	1/1
23 21 1 230 106	23.2	1/3	23 31 1 066 142	23.3+23.4	1/2	<del>31 42 1 230 417</del>	31.4	1/3	31 42 2 000 377	31.4	2/3	32 73 1 230 034	32.7	2/2
23 21 1 230 107	23.2	1/3	23 31 1 066 146	23.3+23.4	1/2	31 42 1 230 467	31.4	1/3	31 42 2 000 378	31.4	2/3	<del>32 73 1 230 035</del>	32.7	2/2
23 21 1 230 440	23.2	1/3	23 31 1 066 150	23.3+23.4	1/2	31 42 1 230 470	31.4	1/3	31 42 2 000 380	31.4	2/3	32 73 1 230 036	32.7	2/2
23 21 1 230 445	23.2	1/3	23 31 1 006 158	23.3+23.4	1/2	31 42 1 230 471	31.4	1/3	31 42 2 000 381	31.4	2/3	32 73 1 230 037	32.7	2/2
<del>23 21 1 230 446</del>	23.2	1/3	23 31 1 006 162	23.3+23.4	1/2	31 42 1 230 478	31.4	1/3	31 42 2 000 382	31.4	2/3	32 73 1 230 038	32.7	2/2
23 21 1 230 447	23.2	1/3	23 31 1 066 186	23.3+23.4	1/2	31 42 1 230 485	31.4	1/3	31 42 2 000 383	31.4	2/3	32 73 1 230 040	32.7	2/2
23 21 1 230 448	23.2	1/3	<del>23 31 1 066 202</del>	23.3+23.4	1/2	31 42 1 230 577	31.4	1/3	31 42 2 000 384	31.4	2/3	32 73 1 230 042	32.7	2/2
23 21 1 230 449	23.2	1/3	23 31 1 066 259	23.3+23.4	1/2	31 42 1 230 588	31.4	1/3	31 42 2 000 385	31.4	2/3	32 73 1 230 790	32.7	2/2





# Numerical index

# R 50/5 R 60/5 R 75/5

Part numbers	Group	Page	Part numbers	Group	Page	Part numbers	Group	Page	Part numbers	Group	Page	Part numbers	Group	Page
32 73 1 230 791	32.7	2/2	33 12 1 230 726	33.1	2/4	33 53 1 230 282	33.5	1/2	36 31 1 230 347	36.3	1/2	46 51 1 231 005	46.5+46.7	1/7
32 73 1 230 840	32.7	2/2	33 12 1 230 727	33.1	2/4	33 53 1 230 359	33.5	1/2	36 31 1 230 348	36.3	1/2	46 51 1 231 006	46.5+46.7	1/7
32 73 1 230 934	32.7	2/2	33 12 1 230 728	33.1	3/4	33 53 1 230 363	33.5	1/2	36 31 1 230 430	36.3	1/2	46 51 1 231 007	46.5+46.7	1/7
32 73 1 230 976	32.7	2/2	33 12 1 230 729	33.1	3/4	33 53 1 230 767	33.5	2/2	36 31 1 230 551	36.3	1/2	46 51 1 231 008	46.5+46.7	1/7
33 10 1 230 542	33.1	1/4	33 12 1 230 730	33.1	3/4	33 53 1 230 770	33.5	2/2	36 31 1 230 552	36.3	1/2	46 51 1 231 009	46.5+46.7	1/7
33 10 1 230 543	33.1	1/4	33 12 1 230 731	33.1	3/4	33 53 1 231 498	33.5	1/2	36 31 1 230 781	36.3	1/2	46 51 1 231 084	46.5+46.7	1/7
33 10 1 230 546	33.1	1/4	33 12 1 230 732	33.1	3/4	33 53 3 054 168	26.1+33.4	1/1	36 31 1 230 782	36.3	1/2	46 51 1 231 093	46.5+46.7	1/7
33 10 1 230 547	33.1	1/4	33 12 1 230 733	33.1	3/4	33 53 3 054 174	26.1+33.4	1/1	36 31 1 230 783	36.3	1/2	46 51 1 231 218	46.5+46.7	1/7
33 11 1 230 232	33.1	1/4	33 12 1 230 734	33.1	3/4	34 11 1 230 005	34.1	1/1	36 31 1 230 784	36.3	1/2	46 51 1 231 219	46.5+46.7	1/7
33 11 1 230 235	33.1	1/4	33 12 1 230 735	33.1	3/4	34 11 1 230 010	34.1	1/1	36 31 1 230 785	36.3	1/2	46 51 1 231 233	46.5+46.7	1/7
33 11 1 230 238	33.1	1/4	33 12 1 230 736	33.1	3/4	34 11 1 230 011	34.1	1/1	36 31 1 230 786	36.3	1/2	46 51 4 034 260	46.5+46.7	1/7
33 11 1 230 350	33.1	1/4	33 12 1 230 737	33.1	3/4	34 11 1 230 016	34.1	1/1	36 31 1 230 787	36.3	1/2	46 51 9 034 125	46.5+46.7	1/7
33 11 3 004 307	33.1	1/4	33 12 1 230 805	33.1	3/4	34 11 1 230 018	34.1	1/1	36 31 1 230 788	36.3	1/2	46 51 9 034 128	46.5-46.7	2/7
33 11 3 004 308	33.1	1/4	33 12 1 230 806	33.1	3/4	34 11 1 230 020	34.1	1/1	36 31 1 230 789	36.3	1/2	46 52 1 230 201	46.5-46.7	2/7
33 12 1 230 244	33.1	1/4	33 12 1 230 808	33.1	3/4	34 11 1 230 024	34.1	1/1	36 31 1 231 240	36.3	2/2	46 52 1 230 210	46.5-46.7	2/7
33 12 1-230 247	33.1	1/4	33 12 1 230 808	33.1	4/4	34 11 2 060 178	32.7	2/2	36 31 1 231 241	36.3	2/2	46 52 1 230 406	46.5-46.7	2/7
33 12 1 230 255	33.1	1/4	33 12 1 230 809	33.1	4/4	34 11 2 060 237	34.1	1/1	36 31 1 231 242	36.3	2/2	46 52 1 230 409	46.5-46.7	2/7
33 12 1 230 256	33.1	1/4	33 12 1 231 238	33.1	2/4	34 11 2 060 338	34.1	1/1	36 31 1 231 243	36.3	2/2	46 52 1 230 411	46.5-46.7	2/7
33 12 1 230 257	33.1	1/4	33 12 1 231 239	33.1	2/4	34 21 1 230 358	34.2+35.2	1/1	36 31 1 231 244	36.3	2/2	46 52 4 028 135	46.5-46.7	2/7
33 12 1 230 259	33.1	1/4	33 12 1 231 160	33.1	3/4	34 21 1 230 264	34.2+35.2	1/1	36 31 1 231 245	36.3	2/2	46 53 1 230 214	46.5-46.7	2/7
33 12 1 230 353	33.1	1/4	33 12 3 004 337	33.1	3/4	34 21 1 230 265	34.2+35.2	1/1	36 31 1 231 246	36.3	2/2	46 53 1 230 219	46.5-46.7	2/7
33 12 1 230 355	33.1	1/4	33 12 3 004 338	33.1	3/4	34 21 3 060 107	34.2+35.2	1/1	36 31 1 231 247	36.3	2/2	46 54 1 230 821	46.5-46.7	7/7
33 12 1 230 356	33.1	1/4	33 12 3 004 343	33.1	3/4	34 21 3 060 107	23.3+23.4	2/2	36 31 1 231 248	36.3	2/2	46 54 1 230 882	52.5	2/2
33 12 1 230 525	33.1	1/4	33 17 1 230 287	26.1+33.4	1/1	34 21 4 044 115	34.2+35.2	1/1	36 31 1 231 249	36.3	2/2	46 54 1 231 059	52.5	2/2
33 12 1 230 527	33.1	2/4	<del>33 17 1 230 288</del>	26.1+33.4	1/1	34 21 4 044 133	34.2+35.2	1/1	36 31 2 060 336	34.1	1/1	46 54 1 231 061	52.5	2/2
33 12 1 230 528	33.1	2/4	33 17 1 230 296	26.1+33.4	1/1	34 21 4 044 137	34.2+35.2	1/1	36 31 3 004 378	26.1+33.4	1/1	46 54 1 231 077	52.5	2/2
33 12 1 230 529	33.1	2/4	33 17 1 230 297	26.1+33.4	1/1	34 21 4 044 141	34.2+35.2	1/1	36 31 4 038 142	26.1+33.4	1/1	46 54 1 231 099	52.5	2/2
33 12 1 230 530	33.1	2/4	33 17 1 230 301	26.1+33.4	1/1	35 21 1 230 043	34.2+35.2	1/1	36 31 4 038 142	36.3	2/2	46 54 1 231 100	52.5	2/2
33 12 1 230 531	33.1	2/4	33 17 1 230 304	26.1+33.4	1/1	35 21 1 230 221	34.2+35.2	1/1	36 31 4 038 155	36.3	2/2	46 54 1 231 104	52.5	2/2
33 12 1 230 532	33.1	2/4	33 17 1 231 010	26.1+33.4	1/1	<del>35 21 1 230 222</del>	34.2+35.2	1/1	36 31 4 038 157	36.3	2/2	46 61 1 230 376	46.5-46.7	4/7
33 12 1 230 533	33.1	2/4	33 17 1 231 011	26.1+33.4	1/1	35 21 1 230 223	34.2+35.2	1/1	36 31 4 038 291	36.3	2/2	46 61 1 230 377	46.5-46.7	4/7
33 12 1 230 535	33.1	2/4	33 17 1 231 012	26.1+33.4	1/1	35 21 1 230 260	34.2+35.2	1/1	36 31 4 038 292	36.3	2/2	46 61 1 230 380	46.5-46.7	4/7
33 12 1 230 536	33.1	2/4	33 17 1 231 013	26.1+33.4	1/1	35 21 1 230 308	34.2+35.2	1/1	36 61 1 230 320	36.3	2/2	46 61 1 231 040	46.5-46.7	4/7
33 12 1 230 537	33.1	2/4	33 17 1 231 220	26.1+33.4	1/1	35 21 1 230 360	34.2+35.2	1/1	36 61 1 230 321	36.3	2/2	46 61 1 231 041	46.5-46.7	4/7
33 12 1 230 538	33.1	2/4	33 41 1 230 303	26.1+33.4	1/1	35 21 1 231 067	34.2+35.2	1/1	46 52 1 230 211	46.5-46.7	2/7	46 61 1 231 042	46.5-46.7	4/7
33 12 1 230 539	33.1	2/4	33 53 1 230 249	33.5	1/2	35 21 4 044 142	34.2+35.2	1/1	<del>46 51 1 230 111</del>	46.5+46.7	1/7	46 61 1 231 043	46.5-46.7	4/7
33 12 1 230 540	33.1	2/4	33 53 1 230 258	33.5	1/2	35 21 4 044 154	34.1	1/1	<del>46 51 1 230 130</del>	46.5+46.7	1/7	46 61 1 231 044	46.5-46.7	4/7
33 12 1 230 541	33.1	2/4	33 53 1 230 258	33.5	2/2	36 31 1 230 007	36.3	1/2	46 51 1 230 164	46.5+46.7	1/7	46 61 1 231 045	46.5-46.7	4/7
33 12 1 230 717	33.1	2/4	33 53 1 230 272	33.5	1/2	36 31 1 230 322	36.3	1/2	46 51 1 230 167	46.5+46.7	1/7	46 61 1 231 046	46.5-46.7	4/7
33 12 1 230 718	33.1	2/4	33 53 1 230 273	33.5	1/2	36 31 1 230 323	36.3	1/2	<del>46 51 1 230 388</del>	46.5+46.7	1/7	46 61 1 231 271	46.5-46.7	4/7
33 12 1 230 719	33.1	2/4	33 53 1 230 274	33.5	1/2	36 31 1 230 324	36.3	1/2	<del>46 51 1 230 389</del>	46.5+46.7	1/7	46 61 5 090 154	34.1	1/1
33 12 1 230 720	33.1	2/4	33 53 1 230 276	33.5	1/2	36 31 1 230 325	36.3	1/2	46 51 1 230 460	46.5+46.7	1/7	46 62 1 230 148	46.5-46.7	4/7
33 12 1 230 721	33.1	2/4	33 53 1 230 276	33.5	2/2	36 31 1 230 331	36.3	1/2	46 51 1 230 771	46.5+46.7	1/7	46 62 1 230 798	46.5-46.7	4/7
33 12 1 230 722	33.1	2/4	33 53 1 230 277	33.5	1/2	36 31 1 230 332	36.3	1/2	46 51 1 230 772	46.5+46.7	1/7	46 62 1 230 965	46.5-46.7	4/7
33 12 1 230 723	33.1	2/4	33 53 1 230 279	33.5	1/2	36 31 1 230 334	36.3	1/2	46 51 1 231 002	46.5+46.7	1/7	46 62 1 230 975	46.5-46.7	4/7
33 12 1 230 724	33.1	2/4	33 53 1 230 280	33.5	1/2	36 31 1 230 337	36.3	1/2	46 51 1 231 003	46.5+46.7	1/7	46 62 1 231 033	46.5-46.7	4/7
33 12 1 230 725	33.1	2/4	33 53 1 230 281	33.5	1/2	36 31 1 230 338	36.3	1/2	46 51 1 231 004	46.5+46.7	1/7	46 62 1 231 034	46.5-46.7	4/7



# Numerical index

## R 50/5 R 60/5 R 75/5

Part numbers	Group	Page	Part numbers	Group	Page	Part numbers	Group	Page	Part numbers	Group	Page	Part numbers	Group	Page
46 62 1 231 035	46.5-46.7	4/7	51 91 9 196 402	51.91	1/1	61 13 1 352 477	61.3+63.1	1/2	62 11 1 351 597	62.1+63.1	1/1	63 17 1 352 670	61.3+63.1	1/2
46 62 1 231 036	46.5-46.7	4/7	52 11 7 602-109	46.5-46.7	4/7	61 13 1 352 477	65.6	1/1	62 11 1 352 622	62.1+63.1	1/1	63 17 1 352 671	61.3+63.1	1/2
46 62 1 231 037	46.5-46.7	4/7	<del>52 53 1 230 196</del>	52.5	1/2	61 13 1 352 478	65.6	1/1	62 11 1 353 677	62.1+63.1	1/1	63 17 1 352 684	61.3+63.1	1/2
46 62 1 231 038	46.5-46.7	4/7	52 53 1 230 197	52.5	1/2	61 13 1 352 478	61.1-61.3	1/2	<del>62 11 8 081 725</del>	62.1+63.1	1/1	63 17 1 352 685	61.3+63.1	1/2
46 62 1 231 039	46.5-46.7	4/7	52 53 1 230 313	52.5	1/2	61 13 1 352 478	61.3+63.1	1/2	62 12 1 350 549	62.1+63.1	1/1	63 17 1 352 687	61.3+63.1	1/2
46 62 1 231 272	46.5-46.7	4/7	52 53 1 230 313	52.5	2/2	61 13 1 353 710	61.3+63.1	2/2	62 12 1 350 594	62.1+63.1	1/1	63 17 1 352 690	61.3+63.1	1/2
46 63 1 231 296	46.5-46.7	7/7	52 53 1 230 314	52.5	1/2	61 13 3 080 160	62.1+63.1	1/1	62 12 1 351 554	62.1+63.1	1/1	63 17 1 352 844	61.3+63.1	1/2
46 71 1 230 474	46.5-46.7	2/7	52 53 1 230 314	52.5	2/2	61 18 1 353 220	65.6	1/1	62 14 8 081 724	62.1+63.1	1/1	63 17 1 352 845	61.3+63.1	1/2
46 71 1 230 475	46.5-46.7	2/7	52 53 1 230 315	52.5	1/2	61 21 1 230 392	61.1-61.3	1/2	62 14 8 081 725	62.1+63.1	1/1	63 17 1 352 854	61.3+63.1	2/2
46 71 1 230 477	46.5-46.7	2/7	52 53 1 230 319	52.5	1/2	61 21 1 350 658	61.1-61.3	1/2	62 14 8 680 131	62.1+63.1	1/1	<del>63 17 1 353 067</del>	61.3+63.1	2/2
46 71 1 230 761	46.5-46.7	6/7	52 53 1 230 319	52.5	2/2	61 21 1 350 734	61.1-61.3	1/2	63 12 1 351 650	63.1	2/2	<del>63 17 1 353 110</del>	61.3+63.1	2/2
46 71 1 230 762	46.5-46.7	6/7	52 53 1 230 396	52.5	1/2	61 21 1 352 554	61.1-61.3	1/2	63 12 1 351 651	63.1	2/2	<del>63 17 1 353 111</del>	61.3+63.1	2/2
46 71 1 230 794	46.5-46.7	6/7	52 53 1 230 396	61.3+63.1	2/2	61 31 1 350 493	61.3+63.1	1/2	63 12 1 351 652	63.1	2/2	63 17 1 353 112	61.3+63.1	2/2
46 71 1 230 817	46.5-46.7	6/7	52 53 1 230 398	52.5	1/2	61 31 1 351 219	61.1-61.3	2/2	63 12 1 351 672	63.1	2/2	63 17 1 353 113	61.3+63.1	2/2
46 71 1 230 833	46.5-46.7	6/7	52 53 1 230 500	52.5	1/2	61 31 1 351 220	61.1-61.3	2/2	63 12 1 351 764	63.1	2/2	<del>63 17 1 353 149</del>	61.3+63.1	2/2
46 71 1 230 931	46.5-46.7	6/7	52 53 1 230 501	52.5	1/2	61 31 1 351 249	61.1-61.3	2/2	63 12 1 352 163	63.1+71.6	1/1	63 17 1 353 938	61.3+63.1	1/2
51 14 1 230 956	46.5-46.7	2/7	52 53 1 230 669	52.5	2/2	61 31 1 351 646	61.1-61.3	2/2	63 12 1 352 164	63.1+71.6	1/1	63 17 1 354 045	61.3+63.1	2/2
51 14 1 231 085	46.5-46.7	2/7	52 53 1 230 676	52.5	2/2	61 31 1 351 647	61.1-61.3	2/2	63 12 1 352 165	63.1+71.6	1/1	63 17 1 354 046	61.3+63.1	2/2
51 14 1 231 086	46.5-46.7	2/7	52 53 1 231 319	52.5	1/2	61 31 1 351 662	61.1-61.3	2/2	63 12 1 352 208	63.1+71.6	1/1	63 17 1 354 047	61.3+63.1	2/2
51 14 1 231 087	46.5-46.7	2/7	52 53 1 231 319	52.5	2/2	61 31 1 351 799	61.1-61.3	2/2	63 12 1 352 210	63.1+71.6	1/1	63 21 1 350 401	63.2	1/2
51 16 1 230 420	32.7	2/2	52 53 1 231 320	52.5	1/2	61 31 1 352 852	61.1-61.3	2/2	63 12 1 352 211	63.1+71.6	1/1	63 21 1 350 402	63.2	1/2
51 16 1 230 421	32.7	2/2	52 53 1 231 321	52.5	1/2	61 31 1 352 941	61.1-61.3	2/2	63 12 1 352 213	63.1+71.6	1/1	63 21 1 350 403	63.2	1/2
51 16 1 231 256	32.7	2/2	52 53 1 231 326	52.5	1/2	61 31 1 352 942	61.1-61.3	2/2	63 12 1 352 325	62.1+63.1	1/1	63 21 1 350 492	63.2	1/2
51 25 1 230 186	52.5	1/2	52 53 1 231 327	52.5	1/2	61 31 1 353 186	61.3+63.1	1/2	63 12 1 352 441	62.1+63.1	1/1	63 21 1 350 755	63.2	1/2
51 25 1 230 187	52.5	1/2	52 53 1 231 352	52.5	2/2	61 31 1 353 186	65.6	1/1	63 12 1 352 442	62.1+63.1	1/1	63 21 1 350 756	63.2	1/2
51 25 1 230 188	52.5	1/2	61 11 1 350 634	61.1-61.3	1/2	61 31 1 353 684	61.1-61.3	2/2	63 12 1 352 506	63.1	2/2	63 21 1 351 524	63.2	1/2
51 25 1 230 194	52.5	1/2	61 11 1 350 636	61.1-61.3	1/2	<del>61 31 8 048 165</del>	61.1-61.3	2/2	63 12 1 352 931	63.1	2/2	63 21 1 352 393	63.2	1/2
51 25 1 230 482	52.5	1/2	61 11 1 350 642	61.1-61.3	1/2	61 31 8 050 134	63.1	1/2	63 12 1 353 075	63.1	2/2	63 21 1 352 638	63.2	1/2
51 91 1 813 069	51.91	1/1	61 11 1 350 643	61.1-61.3	1/2	61 31 8 050 136	63.1	1/2	63 12 1 353 486	63.1	2/2	63 23 1 350 496	63.2	1/2
51 91 1 813 070	51.91	1/1	61 11 8 046 150	65.6	1/1	61 31 8 050 138	63.1	1/2	63 12 1 353 487	63.1	2/2	63 23 1 350 497	63.2	1/2
51 91 1 813 075	51.91	1/1	61 12 1 350 694	61.1-61.3	1/2	61 32 8 048 101	63.1	1/2	63 12 1 353 623	63.1	2/2	63 23 1 350 505	63.2	1/2
51 91 1 813 316	51.91	1/1	61 12 1 351 671	61.1-61.3	1/2	61 32 8 048 102	63.1	1/2	63 12 8 050 010	63.1+71.6	1/1	63 23 1 351 257	63.2	1/2
51 91 9 196 052	51.91	1/1	61 12 1 352 321	61.1-61.3	1/2	61 32 8 048 103	63.1	1/2	63 12 8 050 160	63.1	2/2	63 23 1 351 407	63.2	1/2
51 91 9 196 054	51.91	1/1	61 12 1 352 611	61.1-61.3	1/2	61 32 8 048 104	63.1	1/2	63 12 8 071 750	63.1	2/2	63 23 1 351 587	63.2	1/2
51 91 9 196 070	51.91	1/1	61 12 1 352 831	61.3+63.1	1/2	61 32 8 048 105	63.1	1/2	63 12 8 071 754	63.1	2/2	63 23 1 352 944	63.2	1/2
51 91 9 196 087	51.91	1/1	61 12 1 352 850	61.3+63.1	1/2	61 32 8 048 106	63.1	1/2	<del>63 12 8 081 724</del>	62.1+63.1	1/1	65 41 1 353 036	61.3+63.1	2/2
51 91 9 196 152	51.91	1/1	61 12 1 352 851	61.3+63.1	1/2	61 32 8 048 118	63.1	1/2	63 12 8 650 145	63.1	2/2	65 41 1 353 143	61.3+63.1	2/2
51 91 9 196 154	51.91	1/1	61 12 1 353 035	61.3+63.1	1/2	61 32 8 048 119	63.1	1/2	63 13 1 350 504	63.2	1/2	<del>65 60 1 353 133</del>	61.3+63.1	2/2
51 91 9 196 170	51.91	1/1	61 12 1 353 037	61.3+63.1	1/2	61 32 8 048 185	63.1	1/2	63 13 1 350 510	63.2	1/2	65 60 1 353 180	65.6	1/1
51 91 9 196 187	51.91	1/1	61 12 1 353 312	61.1-61.3	1/2	61 32 8 048 189	63.1	1/2	63 13 1 352 447	63.2	1/2	65 60 1 353 181	65.6	1/1
51 91 9 196 199	51.91	1/1	61 12 1 353 313	61.1-61.3	1/2	61 32 8 048 191	63.1	1/2	63 13 1 352 448	63.2	1/2	65 60 1 353 184	65.6	1/1
51 91 9 196 252	51.91	1/1	61 12 1 353 489	61.1-61.3	1/2	61 33 1 352 283	61.1-61.3	2/2	63 17 1 352 563	61.3+63.1	1/2	65 60 1 353 227	65.6	1/1
51 91 9 196 254	51.91	1/1	61 12 1 353 711	61.3+63.1	1/2	61 33 9 088 155	61.3+63.1	1/2	63 17 1 352 664	61.3+63.1	1/2	71 11 1 230 000	71.1	1/1
51 91 9 196 270	51.91	1/1	61 12 1 353 903	61.3+63.1	2/2	61 33 9 088 156	61.3+63.1	1/2	63 17 1 352 665	61.3+63.1	1/2	71 11 1 230 394	71.1	1/1
51 91 9 196 287	51.91	1/1	61 13 1 352 095	61.1-61.3	1/2	62 11 1 350 546	62.1+63.1	1/1	63 17 1 352 666	61.3+63.1	1/2	71 11 1 230 579	71.1	1/1
51 91 9 196 400	51.91	1/1	61 13 1 352 425	61.1-61.3	1/2	62 11 1 350 574	62.1+63.1	1/1	63 17 1 352 668	61.3+63.1	1/2	71 11 1 230 684	71.1	1/1
51 91 9 196 401	51.91	1/1	61 13 1 352 477	61.1-61.3	1/2	62 11 1 351 596	62.1+63.1	1/1	63 17 1 352 669	61.3+63.1	1/2	71 11 1 230 685	71.1	1/1



# Numerical index

# R 50/5 R 60/5 R 75/5

Part numbers	Group	Page	Part numbers	Group	Page	Part numbers	Group	Page	Part numbers	Group	Page	Part numbers	Group	Page
71 11 1 230 752	71.1	1/1												
71 11 9 090 104	71.1	1/1												
71 11 9 090 122	71.1	1/1												
71 11 9 090 125	71.1	1/1												
71 11 9 090 129	71.1	1/1												
71 11 9 090 133	71.1	1/1												
71 11 9 090 139	71.1	1/1												
71 11 9 090 140	71.1	1/1												
71 11 9 090 147	71.1	1/1												
71 11 9 090 149	71.1	1/1												
71 11 9 090 154	71.1	1/1												
71 60 1 231 068	46.5-46.7	7/7												
71 60 1 231 069	46.5-46.7	7/7												
71 60 1 231 260	46.5-46.7	7/7												
71 60 1 231 261	46.5-46.7	7/7												
71 60 1 231 262	46.5-46.7	7/7												
71 60 1 231 263	46.5-46.7	7/7												
71 60 9 024 171	46.5-46.7	6/7												
71 60 9 024 172	46.5-46.7	6/7												
71 60 9 024 173	46.5-46.7	6/7												
71 60 9 024 180	46.5-46.7	7/7												
71 60 9 024 186	46.5-46.7	6/7												
71 60 9 086 104	63.1+71.6	1/1												
71 60 9 086 105	63.1+71.6	1/1												
71 60 9 086 120	63.1+71.6	1/1												
71 60 9 086 123	63.1+71.6	1/1												



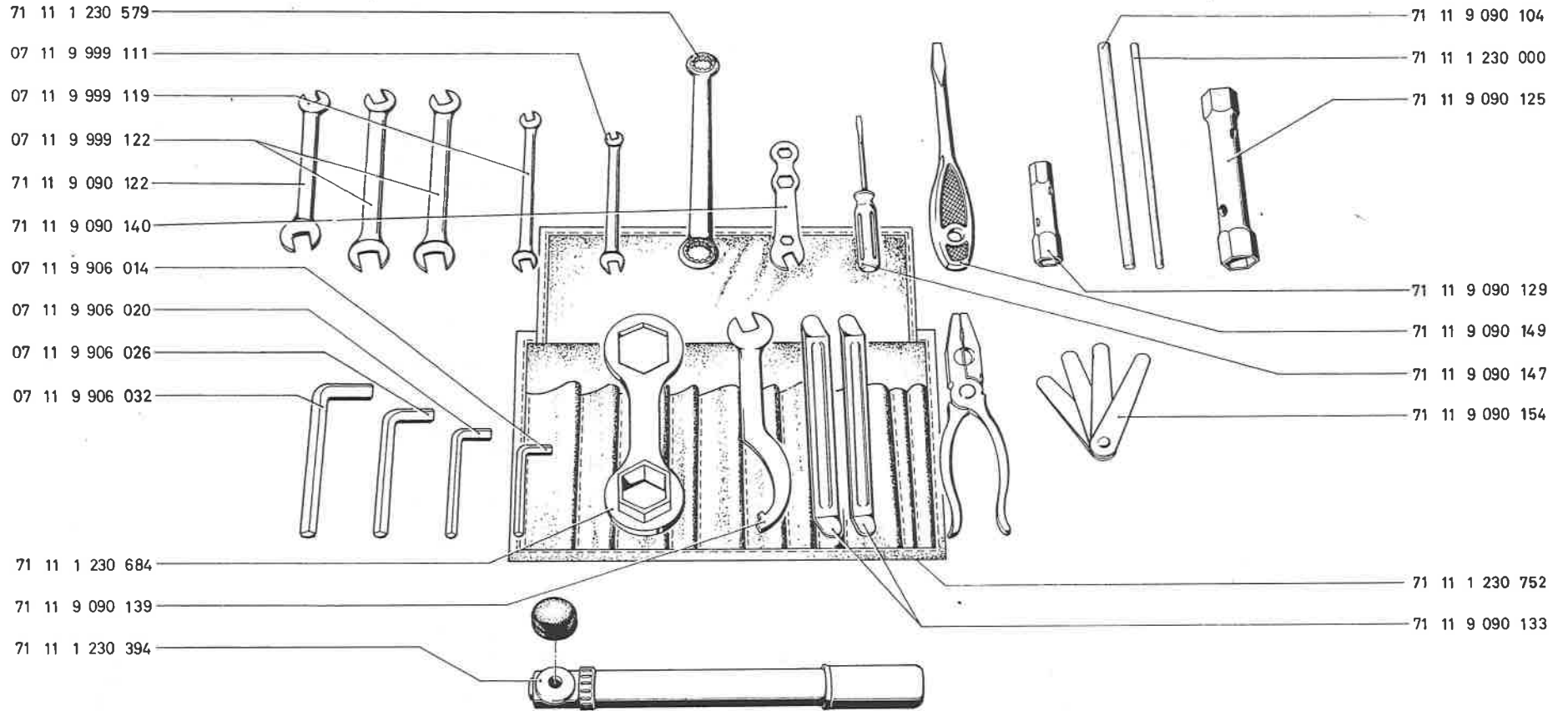
**Numerical index**

**R 50/5 R 60/5 R 75/5**

Part numbers	Group	Page	Part numbers	Group	Page	Part numbers	Group	Page	Part numbers	Group	Page	Part numbers	Group	Page



71 11 1 230 685



R 50/5  
R 60/5  
R 75/5

Tool kit — Tools

Group 71.1

Pg. No.  
1/1

2. 1. 1970



Tool kit — Tools

Group 71.1

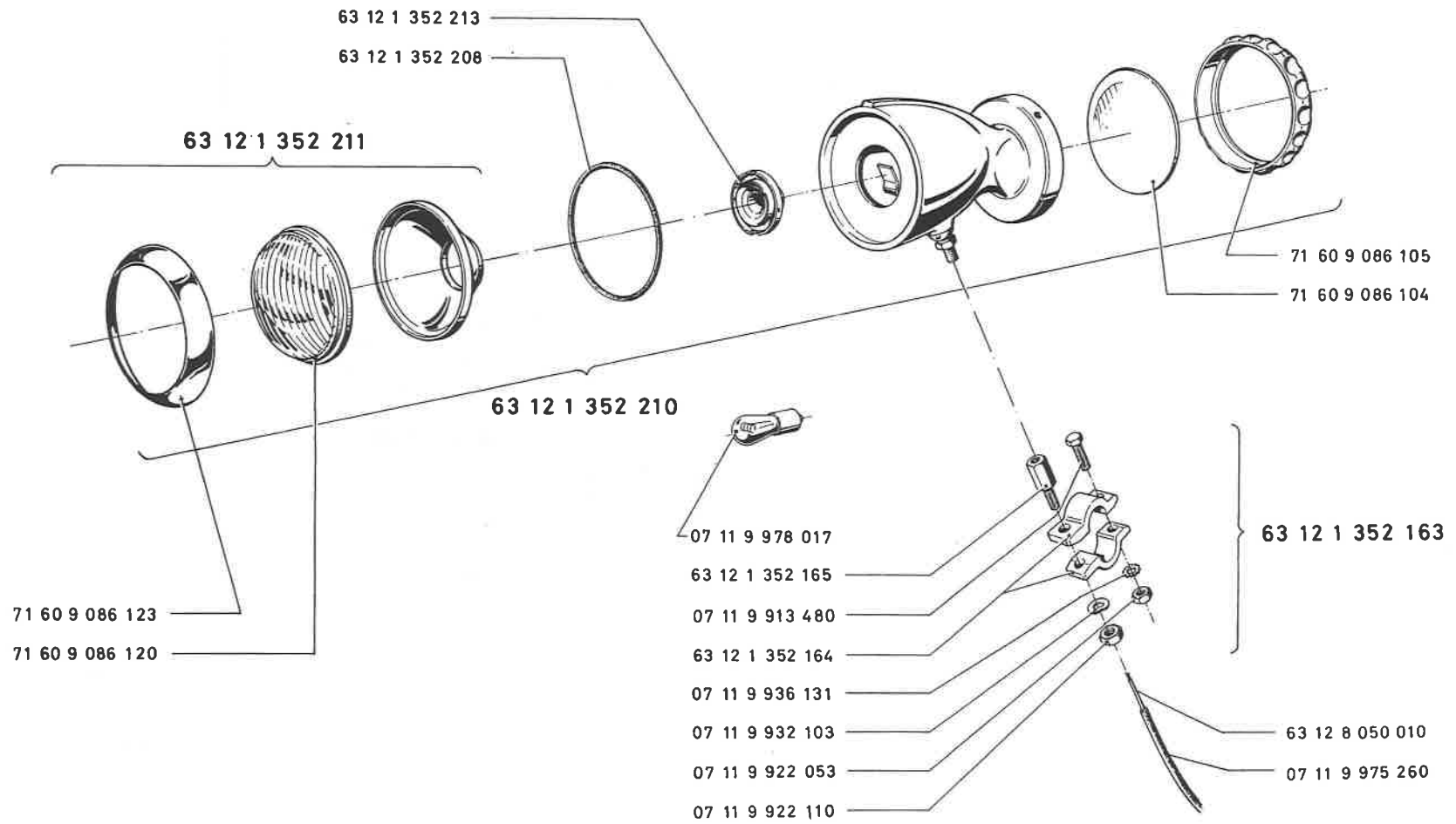
Changes

Pg. Nr.  
1/1

2. 1. 1970

Part No.	Quantity per Motorcycle			Designation of parts	Part No.	Remarks
	R 50/5	R 60/5	R 75/5			
71 11 1 230 000	1	1	1	adjusting rod		
71 11 1 230 394	1	1	1	tire pump		
71 11 1 230 579	1	1	1	boxend wrench 10 x 12		
71 11 1 230 684	1	1	1	boxend wrench		
71 11 1 230 685	1	1	1	tool kit		
71 11 1 230 752	1	1	1	tool bag		
71 11 9 090 104	1	1	1	pin for axle removal		
71 11 9 090 122	1	1	1	open end wrench 13 x 22		
71 11 9 090 125	1	1	1	socket wrench 21 x 22		
71 11 9 090 129	1	1	1	socket wrench		
71 11 9 090 133	2	2	2	tire iron		
71 11 9 090 139	1	1	1	exhaust pipe wrench		
71 11 9 090 140	1	1	1	carburetor wrench		
71 11 9 090 147	1	1	1	screwdriver		
71 11 9 090 149	1	1	1	screwdriver		
71 11 9 090 154	1	1	1	feeler gauge		
71 11 9 090 154	1	1	1	feeler gauge		
07 11 9 906 014	1	1	1	screwdriver 4		
07 11 9 906 020	1	1	1	screwdriver 5		
07 11 9 906 026	1	1	1	screwdriver 6		
07 11 9 906 032	1	1	1	screwdriver 8		
07 11 9 999 111	1	1	1	open end wrench 8 x 10		
07 11 9 999 119	1	1	1	open end wrench 12 x 14		
07 11 9 999 122	2	2	2	open end wrench 13 x 17		





R 50/5  
R 60/5  
R 75/5

Accessories  
Electrical equipment — Spotlight

Group 63.1+71.6

Pg. No.  
1/1

2. 1. 1970



Accessories

Electrical equipment — Spotlight

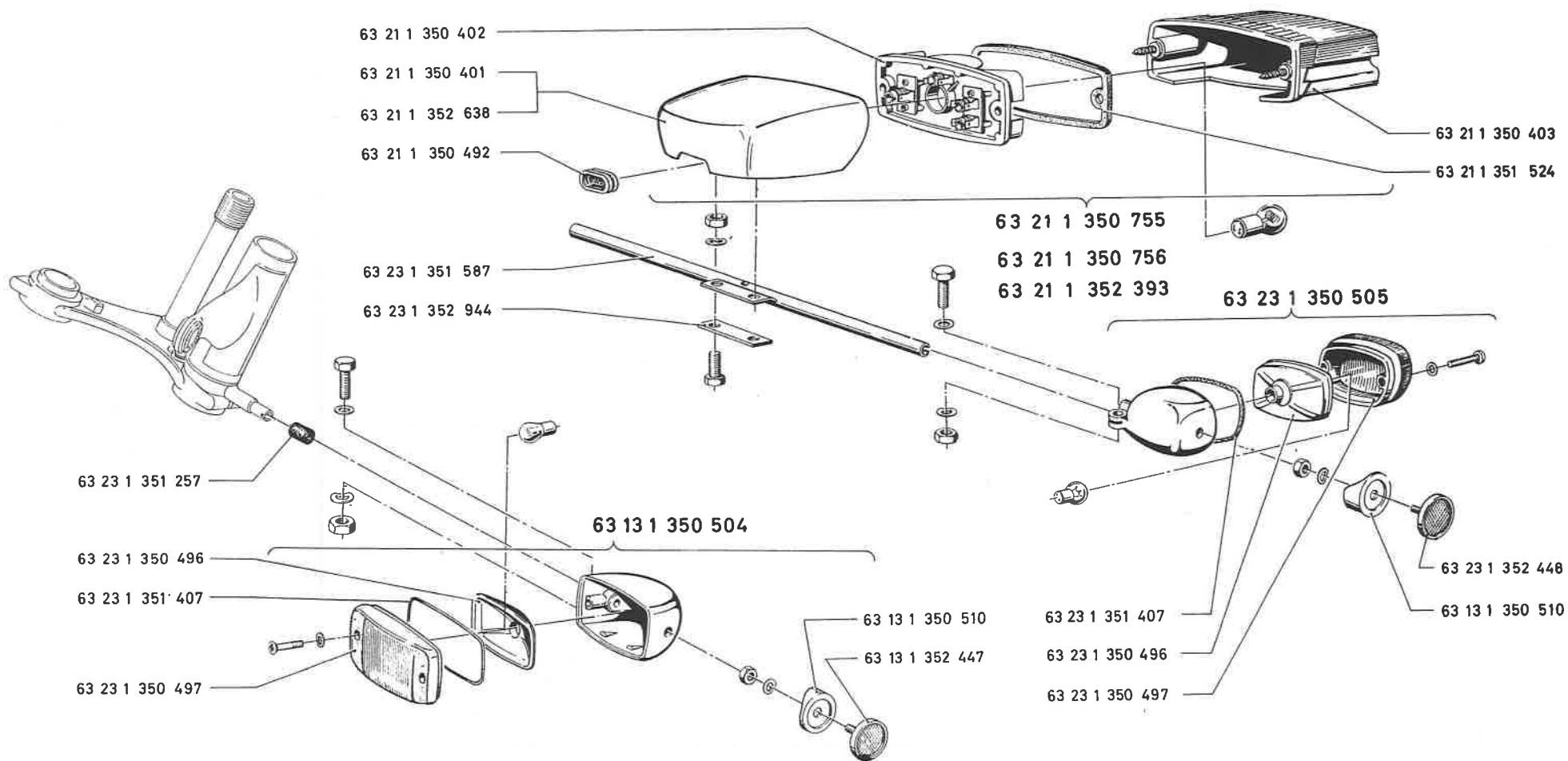
Group 63.1+71.6

Changes

Pg. Nr.  
1/1

2. 1. 1970

Part No.	Quantity per Motorcycle			Designation of parts	Part No.	Remarks
	R 50/5	R 60/5	R 75/5			
63 12 1 352 163	1	1	1	spotlight bracket		
63 12 1 352 164	2	2	2	clamp		
63 12 1 352 165	1	1	1	bolt		
63 12 1 352 208	1	1	1	seal ring		
63 12 1 352 210	1	1	1	spotlight, cpl.		
63 12 1 352 211	1	1	1	front section, cpl.		
63 12 1 352 213	1	1	1	socket		
63 12 8 050 010	1	1	1	wire for spotlight		
71 60 9 086 104	1	1	1	rear view mirror lens		
71 60 9 086 105	1	1	1	retainer for rear view mirror lens		
71 60 9 086 120	1	1	1	lens for spotlight, clear		
71 60 9 086 123	1	1	1	spotlight rim		
07 11 9 913 480	1	1	1	hex. head bolt M 6x25		
07 11 9 922 053	1	1	1	hex. nut M 6		
07 11 9 922 110	1	1	1	hex. nut M 10		
07 11 9 932 103	1	1	1	lock washer A 10, spring type		
07 11 9 936 131	1	1	1	star washer		
07 11 9 975 260	1	1	1	insulating hose B 4x0,5x830		
07 11 9 978 017	1	1	1	bulb E 12 V 25 W		



R 50/5  
R 60/5  
R 75/5

Electrical equipment — Taillight and turn signal

Group 63.2

Pg. No.  
1/2

8. 1. 1970



Electrical equipment – Taillight and turn signal

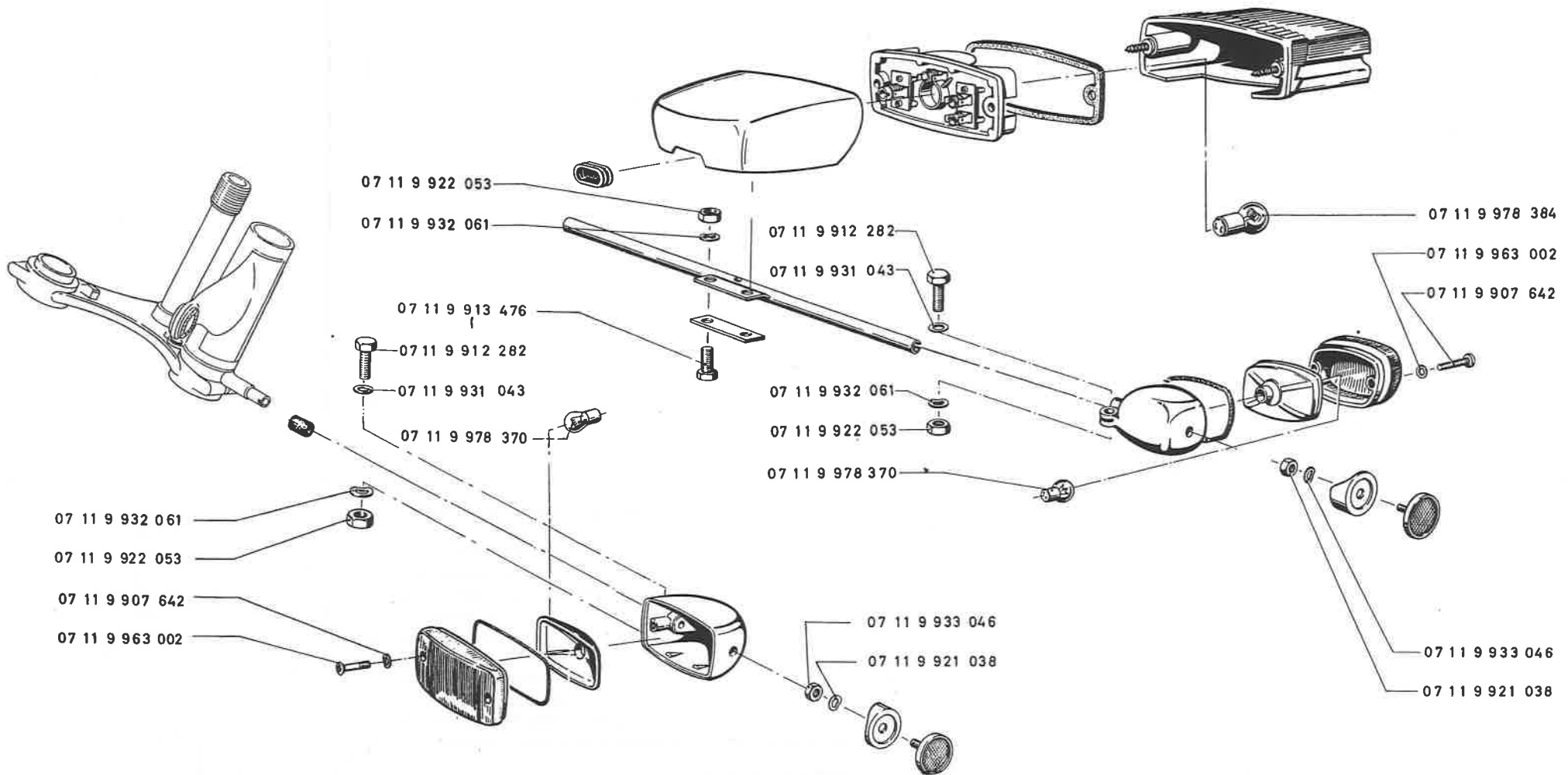
Group 63.2

Changes

Pg. No.  
1/2

8. 1. 1970

Part No.	Quantity per Motorcycle			Designation of parts	Part No.	Remarks
	R 50/5	R 60/5	R 75/5			
63 13 1 350 504	2	2	2	turn signal front		
63 13 1 350 510	4	4	4	spacer		
63 13 1 352 447	2	2	2	reflector yellow for turn signal front		
63 13 1 352 448	2	2	2	reflector red for turn signal rear		
63 21 1 350 401	1	1	1	taillight housing black		
63 21 1 350 402	1	1	1	taillight bulb carrier with reflector		
63 21 1 350 403	1	1	1	taillight lens		
63 21 1 350 492	1	1	1	rubber grommet		
63 21 1 350 755	1	1	1	tail light cpl., police green		
63 21 1 350 756	1	1	1	tail light cpl., white		
63 21 1 352 393	1	1	1	tail/stoplight cpl., black		
63 21 1 351 524	1	1	1	taillight gasket		
63 21 1 352 638	x	x	x	taillight housing primed		
63 23 1 350 496	4	4	4	reflector		
63 23 1 350 497	4	4	4	amber turn signal lens		
63 23 1 350 505	2	2	2	turn signal rear		
63 23 1 351 257	2	2	2	rubber plug, front		
63 23 1 351 407	4	4	4	gasket		
63 23 1 351 587	1	1	1	turn signal, holder		
63 23 1 352 944	2	2	2	spacer		



R 50/5  
R 60/5  
R 75/5

Electrical equipment — Tailight and turn signal

Group 63.2

Pg. No.  
2/2

4. 1. 1970



Electrical equipment — Tailight and turn signal

Group 63.2

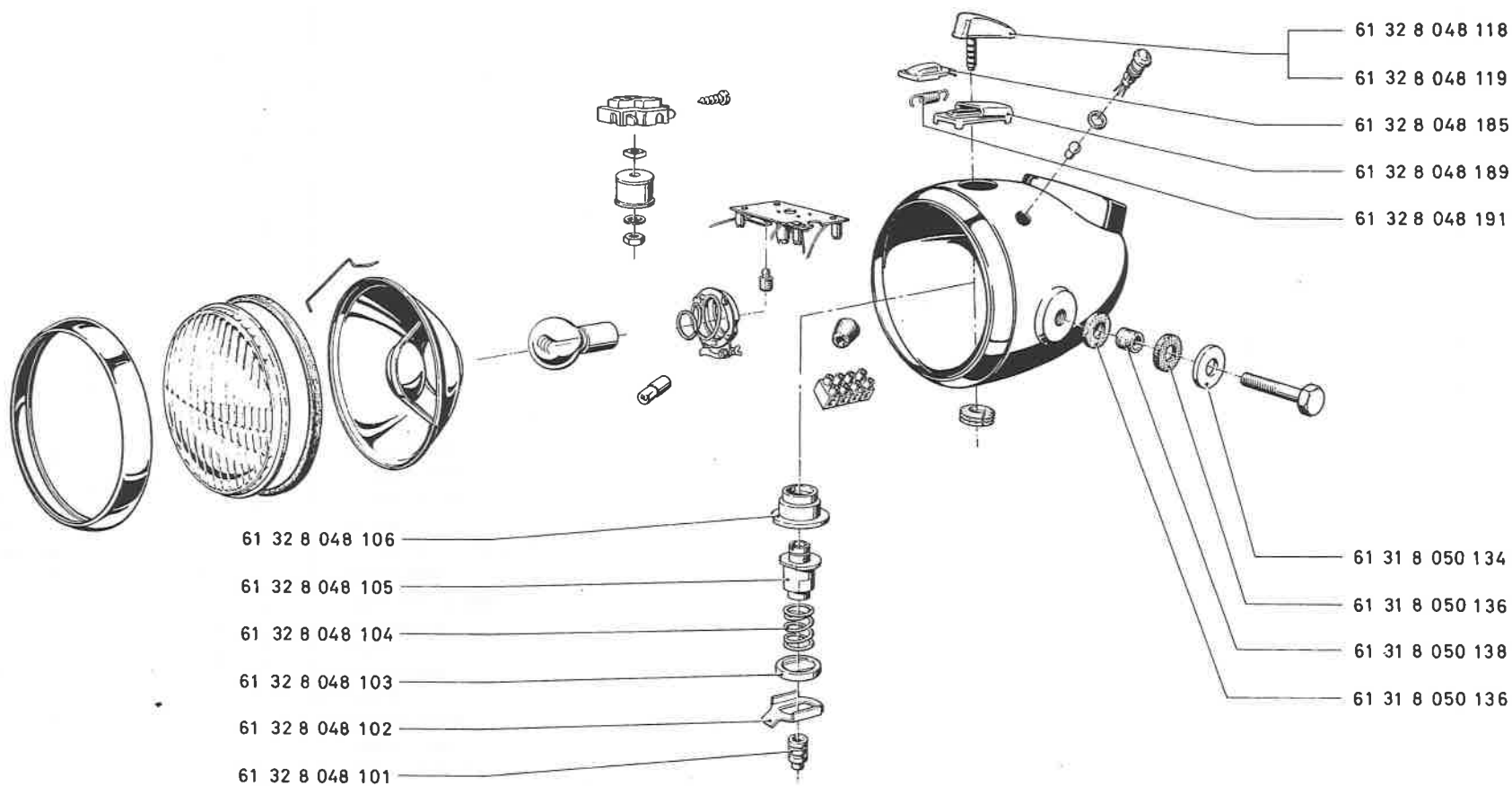
Changes

Pg. Nr.  
2/2

4. 1. 1970

Part No.	Quantity per Motorcycle				Designation of parts	Part No.	Remarks
	R 50/5	R 60/5	R 75/5				
07 11 9 907 642	8	8	8		oval head screw AM 3,5x25		
07 11 9 912 282	4	4	4		hex. head bolt M 6x30		
07 11 9 913 476	2	2	2		hex. head bolt M 6x20		
07 11 9 921 038	4	4	4		hex. nut B M 5		
07 11 9 922 053	4	4	4		hex. nut M 6		
07 11 9 931 043	4	4	4		flat washer 6,4		
07 11 9 932 061	6	6	6		lock washer A 6, spring type		
07 11 9 933 046	4	4	4		lock washer B 5, spring type		
07 11 9 963 002	8	8	8		gasket A 3x5x6		
07 11 9 978 370	4	4	4		bulb 12 V		
07 11 9 978 384	1	1	1		double filament bulb 12 V 21/5 W		





R 50/5  
R 60/5  
R 75/5

Electrical equipment — Headlight - spare parts

Group 63.1

Pg. No.  
1/2

4. 1. 1970



Electrical equipment — Headlight - spare parts

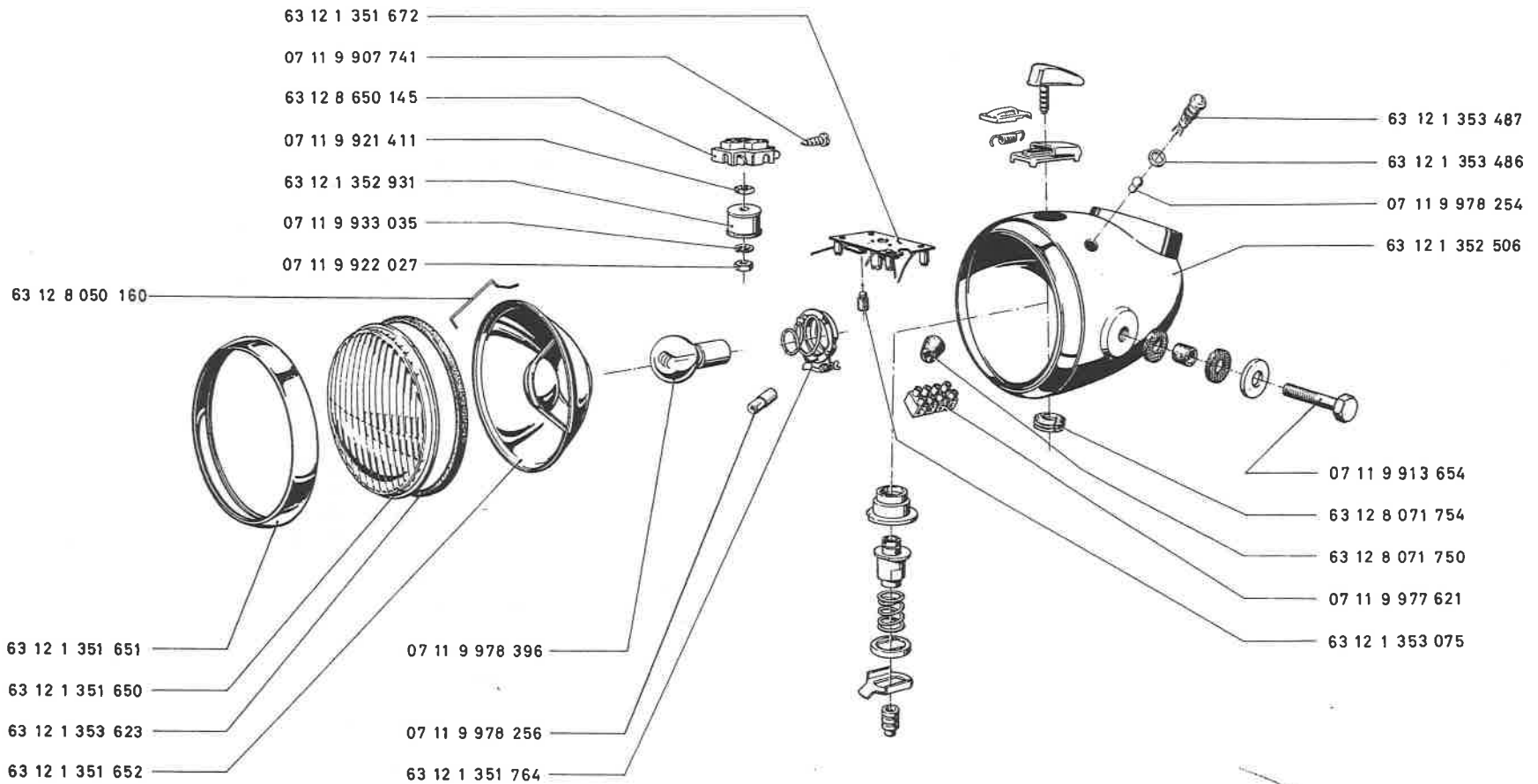
Group 63.1

Changes

Pg. No.  
1/2

4. 1. 1970

Part No.	Quantity per Motorcycle			Designation of parts	Part No.	Remarks
	R 50/5	R 60/5	R 75/5			
61 32 8 048 101	1	1	1	contact bushing		
61 32 8 048 102	1	1	1	contact plate		
61 32 8 048 103	1	1	1	bakelite spacer		
61 32 8 048 104	1	1	1	spring		
61 32 8 048 105	1	1	1	ignition lock		
61 32 8 048 106	1	1	1	cover		
61 32 8 048 118	1	1	1	ignition key		
61 32 8 048 119	1	1	1	spare ignition key		
61 32 8 048 185	1	1	1	plastic slide		
61 32 8 048 189	1	1	1	chrome switch cover		
61 32 8 048 191	1	1	1	spring		
61 31 8 050 134	2	2	2	Chrom. washer		
61 31 8 050 136	4	4	4	rubber washer		
61 31 8 050 138	2	2	2	rubber sleeve		



R 50/5  
R 60/5  
R 75/5

Electrical equipment — Headlight - spare parts

Group 63.1

Pg. No.  
2/2

8. 1. 1970



Electrical equipment -- Headlight - spare parts

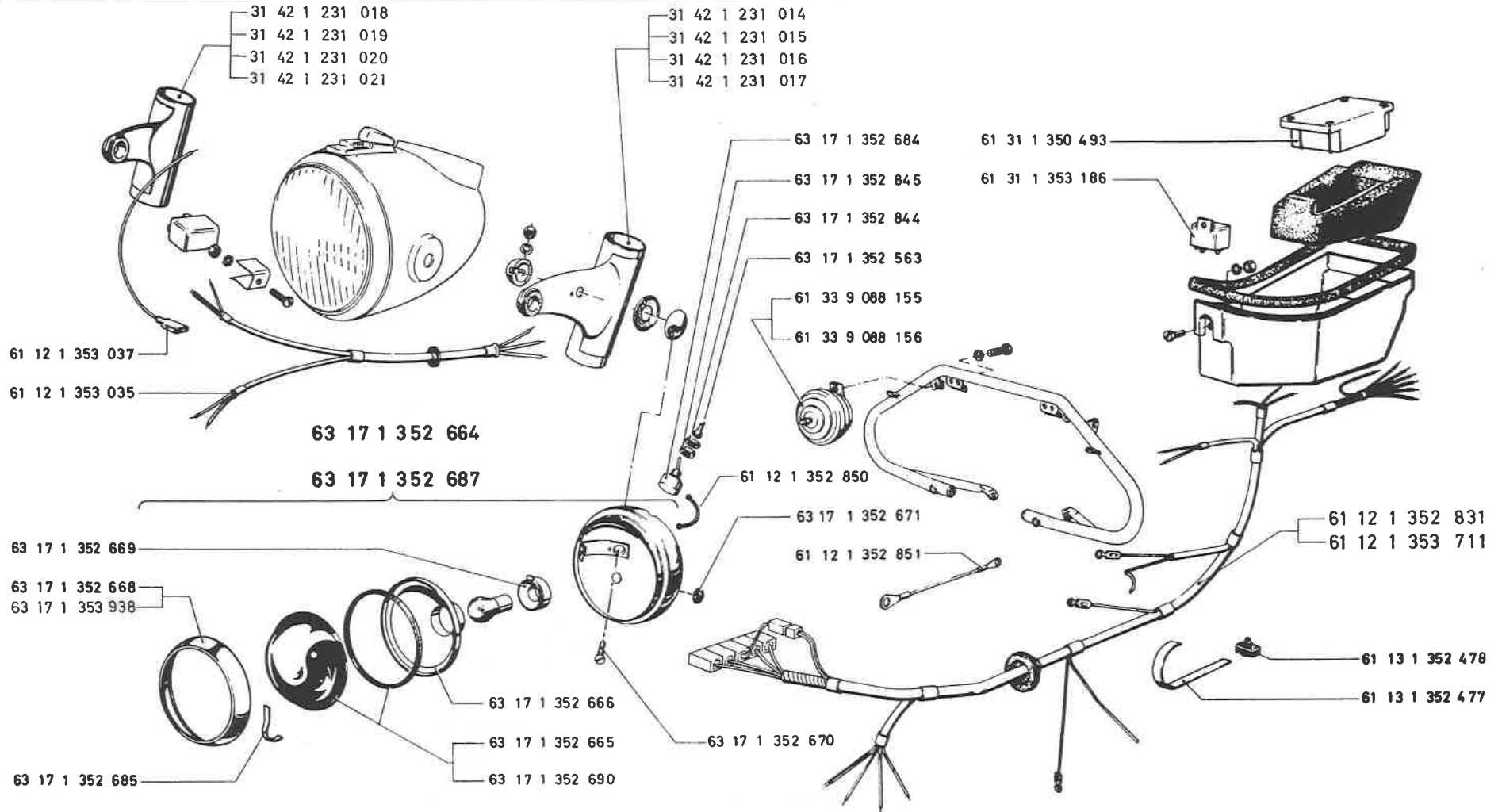
Group 63.1

Changes

Pg. No.  
2/2

8. 1. 1970

Part No.	Quantity per Motorcycle			Designation of parts	Part No.	Remarks
	R 50/5	R 60/5	R 75/5			
63 12 1 351 650	1	1	1	lens		
63 12 1 351 651	1	1	1	headlight rim		
63 12 1 351 652	1	1	1	reflector		
63 12 1 351 672	1	1	1	switchplate with wires		
63 12 1 351 764	1	1	1	bulb holder		
63 12 1 352 506	1	1	1	headlight housing, primed		
63 12 1 352 931	1	1	1	elastic mount		
63 12 1 353 075	7	7	7	clamp bolt		
63 12 1 353 486	1	1	1	rubber O-ring for indicator light		
63 12 1 353 487	1	1	1	turn signal indicator lamp, green		
63 12 1 353 623	1	1	1	gasket for lens		
63 12 8 050 160	6	6	6	spring		
63 12 8 071 750	2	2	2	rubber grommet		
63 12 8 071 754	2	2	2	rubber grommet		
63 12 8 650 145	2	2	2	push-button plug		
07 11 9 907 741	1	1	1	sheet metal screw		
07 11 9 913 654	2	2	2	hex. head bolt M 8 x 25		
07 11 9 921 411	1	1	1	square nut M 4		
07 11 9 922 027	1	1	1	hex. nut M 4		
07 11 9 933 035	2	2	2	lock washer		
07 11 9 977 621	1	1	1	connector		
07 11 9 978 254	1	1	1	bulb H 12 V 2 W		
07 11 9 978 256	2	2	2	bulb 12 V 4 W		
07 11 9 978 396	1	1	1	double filament bulb 12 V 45/40 W		



R 50/5  
R 60/5  
R 75/5

Accessories

Electrical equipment — Sequence relay and identification lamp

Group 61.3 + 63.1

Pg. No.  
1/2

3. 1. 1971



Accessories

Electrical equipment — Sequence relay and identification lamp

Group 61.3 + 63.1

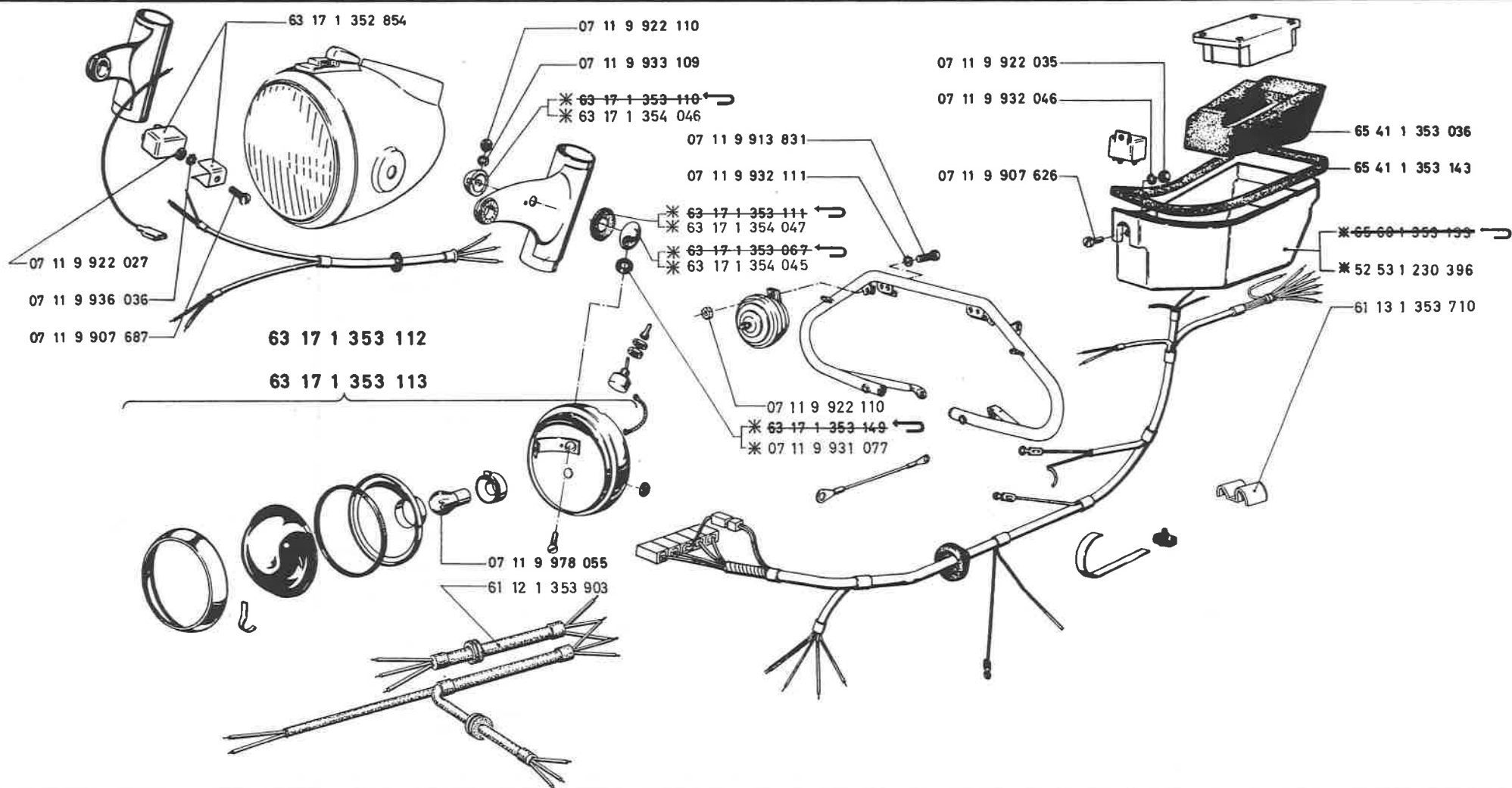
Changes

Pg. No.  
1/2

3. 1. 1971

Part No.	Quantity per Motorcycle			Designation of parts	Remarks
	R 50/5	R 60/5	R 75/5		
31 42 1 231 014	1	1	1	headlight bracket left black	
31 42 1 231 015	1	1	1	headlight bracket left pure white	
31 42 1 231 016	1	1	1	headlight bracket left police green	
31 42 1 231 017	1	1	1	headlight bracket left granada red	
31 42 1 231 018	1	1	1	headlight bracket right black	
31 42 1 231 019	1	1	1	headlight bracket right pure white	
31 42 1 231 020	1	1	1	headlight bracket right police green	
31 42 1 231 021	1	1	1	headlight bracket right granada red	
61 12 1 352 831	1	1	1	wiring harness for sequence relay 12 V	
61 12 1 352 850	1	1	1	harness from switch to light socket	
61 12 1 352 851	2	2	2	grounding cable for heavy duty horn	
61 12 1 353 035	1	1	1	harness from headlight	
61 12 1 353 037	1	1	1	harness from flasher	
61 12 1 353 711	1	1	1	wiring harness for sequence horns 12 V with glaser fairing	
61 13 1 352 477	x	x	x	strap	
61 13 1 352 478	14	14	14	clamp	
61 31 1 350 493	1	1	1	sequence relay	
61 31 1 353 186	1	1	1	relay	
61 33 9 088 155	1	1	1	heavy duty horn 12 V (low tone)	
61 33 9 098 156	1	1	1	heavy duty horn 12 V (high tone)	
63 17 1 352 563	1	1	1	rubber cap	
63 17 1 352 664	1	1	1	identification lamp blue	
63 17 1 352 665	2	2	2	lens with gasket, color blue	
63 17 1 352 666	2	2	2	reflector	
63 17 1 352 668	2	2	2	rim with attachment screw	
63 17 1 352 669	2	2	2	light socket	
63 17 1 352 670	2	2	2	attachment screw	
63 17 1 352 671	2	2	2	rubber grommet	
63 17 1 352 684	1	1	1	switch	
63 17 1 352 685	10	10	10	clip	
63 17 1 352 687	1	1	1	identification lamp red	
63 17 1 352 690	2	2	2	lens with gasket, color red	
63 17 1 352 844	1	1	1	hex. nut with groove	
63 17 1 352 845	1	1	1	hex. nut	
63 17 1 353 938	1	1	1	holder with bolt right hand	





R 50/5  
R 60/5  
R 75/5

Accessories

Electrical equipment — Sequence relay and identification lamp

Group 61.3 + 63.1

Pg. No.  
2/2

3. 1. 1971



## Accessories

## Electrical equipment — Sequence relay and identification lamp

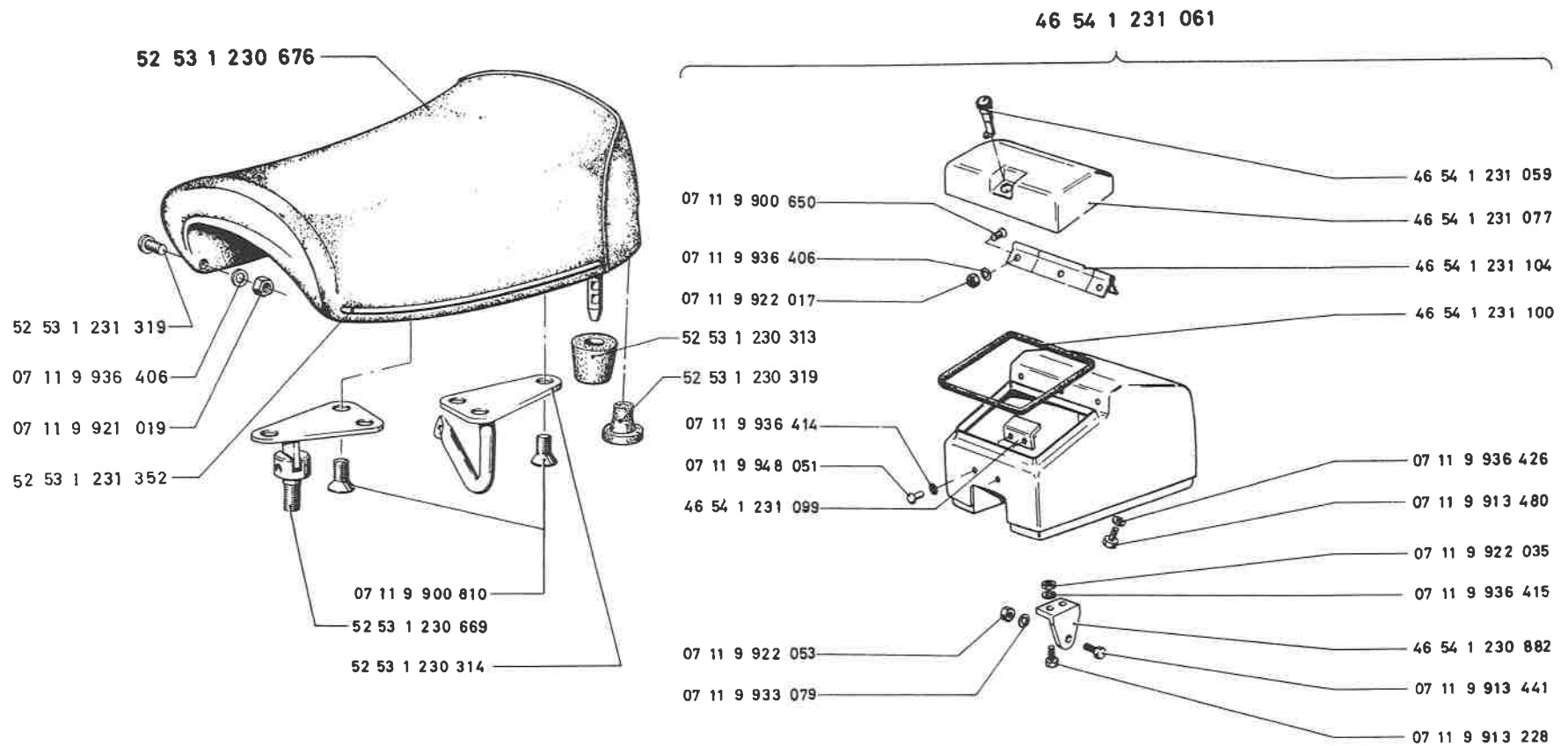
Group 61.3 + 63.1

Changes

Pg. No.  
2/2

3. 1. 1971

Part No.	Quantity per Motorcycle			Designation of parts	Remarks
	R 50/5	R 60/5	R 75/5		
* 52 53 1 230 396	1	1	1	tool box	
61 12 1 353 903	1	1	1	wire for license plate on glaser fairing	* 63-17-1-353-067 ⇔ 63 17 1 354 045
61 13 1 353 710	1	1	1	double clip for wiring harness	
63 17 1 352 854	1	1	1	flasher with holder	* 63-17-1-353-110 ⇔ 63 17 1 354 046
* 63-17-1-353-067	2	2	2	holder for identification lamp	* 63-17-1-353-111 ⇔ 63 17 1 354 047
* 63-17-1-353-110	2	2	2	washer	
* 63-17-1-353-111	2	2	2	spacer	* 63-17-1-353-149 ⇔ 07 11 9 931 077
63 17 1 353 112	1	1	1	identification lamp blue, right	
63 17 1 353 113	1	1	1	identification lamp red, right	* 65-60-1-353-133 ⇔ 52 53 1 230 396
* 63-17-1-353-149	2	2	2	rubber washer	
* 63 17 1 354 045	2	2	2	license plate light holder	
* 63 17 1 354 046	2	2	2	wedge washer	
* 63 17 1 354 047	2	2	2	spacer	
65 41 1 353 036	1	1	1	device for sequence relay	
65 41 1 353 143	1	1	1	adhesive strip	
* 65-60-1-353-133	1	1	1	tool box	
07 11 9 907 626	1	1	1	lens head bolt AM 5 x 12	
07 11 9 907 687	1	1	1	lens head bolt AM 4 x 6	
07 11 9 913 831	2	2	2	hex. head bolt M 10 x 25	
07 11 9 922 027	1	1	1	hex. head bolt M 4	
07 11 9 922 035	1	1	1	hex. nut M 5	
07 11 9 922 110	3	3	3	hex. nut M 10	
* 07 11 9 931 077	2	2	2	washer	
07 11 9 932 046	1	1	1	lock washer B 5	
07 11 9 932 111	2	2	2	lock washer B 10	
07 11 9 933 109	2	2	2	lock washer B 10 spring type	
07 11 9 936 036	1	1	1	star washer A 4,3	
07 11 9 978 055	2	2	2	bulb D 12 V 35 W	



R 50/5  
R 60/5  
R 75/5

Accessories

Chassis — Spare parts and rear fender utility box

Group 52.5

Pg. No.  
2/2

3. 1. 1971



Accessories

Chassis — Spare parts and rear fender utility box

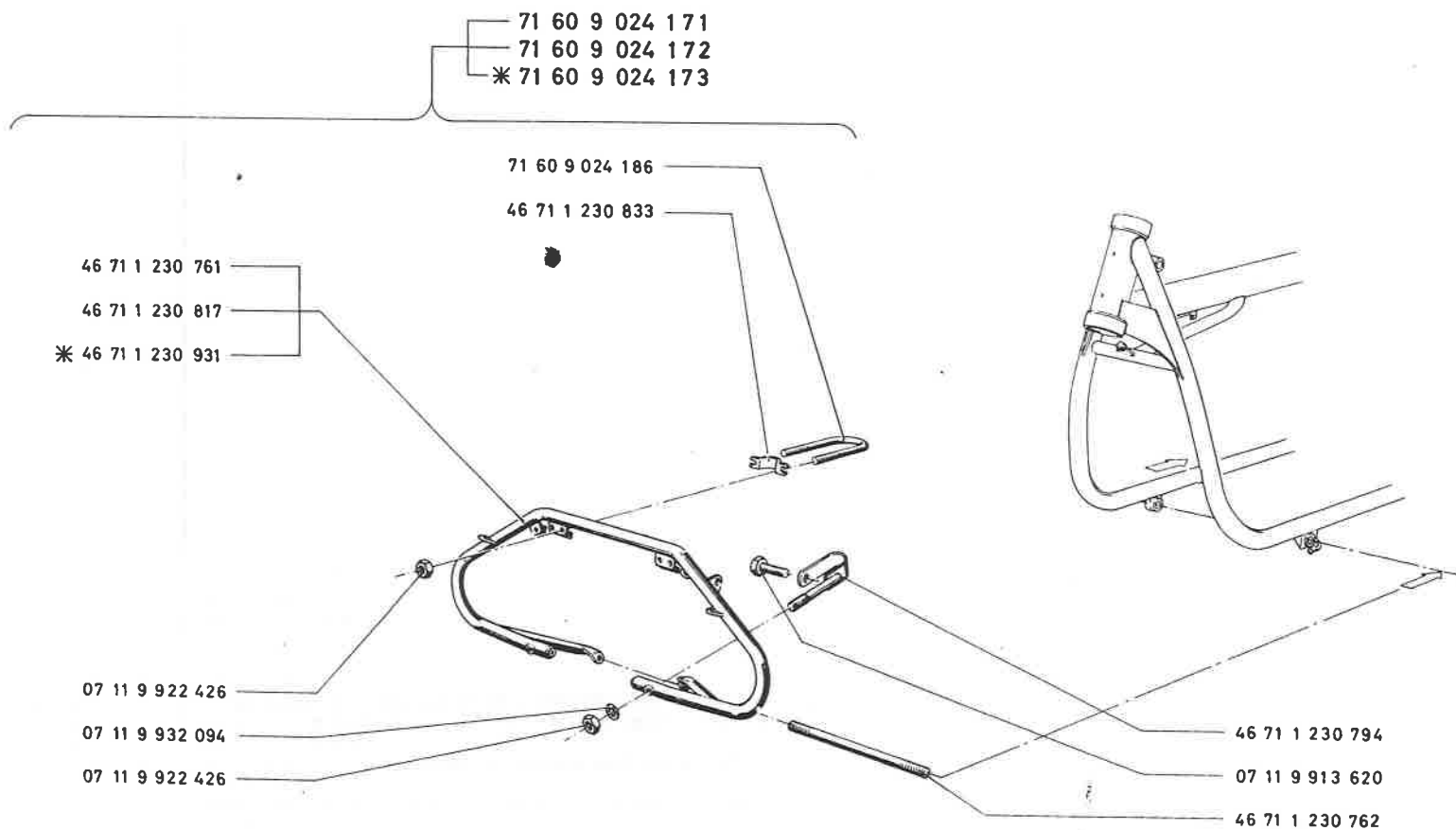
Group 52.5

Changes

Pg. No.  
2/2

3. 1. 1971

Part No.	Quantity per Motorcycle			Designation of parts	Remarks
	R 50/5	R 60/5	R 75/5		
46 54 1 230 882	2	2	2	bracket for utility box	
46 54 1 231 059	1	1	1	lock for utility box	
46 54 1 231 061	1	1	1	rear fender utility box	
46 54 1 231 077	1	1	1	cover for utility box	
46 54 1 231 099	1	1	1	hook for lock	
46 54 1 231 100	1	1	1	seal for utility box	
46 54 1 231 104	1	1	1	hinge	
52 53 1 230 313	1	1	1	rubber spacer	
52 53 1 230 314	1	1	1	hinge	
52 53 1 230 319	8	8	8	rubber support	
52 53 1 230 669	1	1	1	hinge	
52 53 1 230 676	1	1	1	solo seat cpl.	
52 53 1 231 319	8	8	8	bolt	
52 53 1 231 352	2	2	2	trim	
07 11 9 900 650	5	5	5	countersunk screw AM 3x8	
07 11 9 900 810	6	6	6	countersunk screw M 6x10	
07 11 9 913 228	8	8	8	hex. head bolt M 5x12	
07 11 9 913 441	2	2	2	hex. head bolt M 6x12	
07 11 9 913 480	2	2	2	hex. head bolt M 6x25	
07 11 9 921 019	8	8	8	hex. nut BM 3	
07 11 9 922 017	5	5	5	hex. nut M 3	
07 11 9 922 035	8	8	8	hex. nut M 5	
07 11 9 922 053	2	2	2	hex. nut M 6	
07 11 9 933 079	2	2	2	lock washer B 6	
07 11 9 936 406	16	16	16	washer A 3,2	
07 11 9 936 414	2	2	2	washer 4,3	
07 11 9 936 415	8	8	8	washer 5,3	
07 11 9 936 426	2	2	2	washer 6,4	
07 11 9 948 051	2	2	2	rivet 4x10	



R 50/5  
R 60/5  
R 75/5

Accessories

Frame — Safety bar

Group 46.5 — 46.7

Pg. No.  
6/7

3. 1. 1971



## Accessories

## Frame — Safety bar

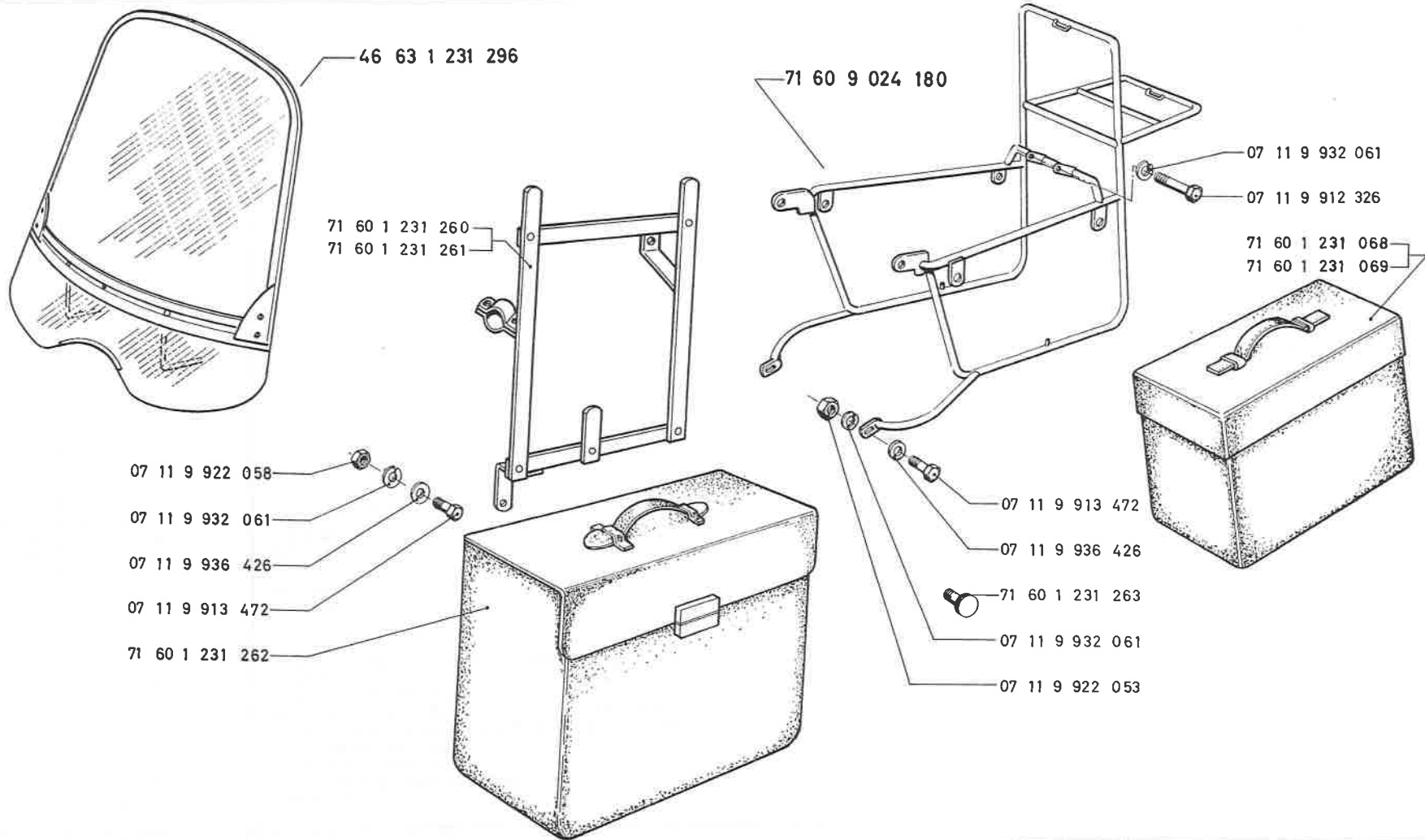
Group 46.5 — 46.7

Changes

Pg. No.  
6/7

3. 1. 1971

Part No.	Quantity per Motorcycle			Designation of parts	Remarks
	R 50/5	R 60/5	R 75/5		
46 71 1 230 761	1	1	1	safety bar normal	* 46 71 1 230 931 } * 71 60 9 024 173 } x { { Glaser fairing only { 31 42 2 000 399 { spacer for telescopic leg { see 31.4 — 2/3
46 71 1 230 762	1	1	1	through bolt for engine mounting, front	
46 71 1 230 794	2	2	2	clamp	
46 71 1 230 817	1	1	1	safety bars for Police machines equipped with sequence horns	
46 71 1 230 833	2	2	2	spacer	
* 46 71 1 230 931	1	1	1	safety bars for Police machines equipped with full fairing	
71 60 9 024 171	1	1	1	safety bar standard	
71 60 9 024 172	1	1	1	safety bar for European Police machines with sequence horns	
* 71 60 9 024 173	1	1	1	safety bar for European Police machines equipped with Glaser fairing	
71 60 9 024 186	2	2	2	clamp bolt	
07 11 9 913 620	2	2	2	hex. head bolt M 8 x 15	
07 11 9 922 426	6	6	6	hex. nut M 8	
07 11 9 932 094	2	2	2	lock washer B 8 x 15	



R 50/5  
R 60/5  
R 75/5

Accessories

Chassis — Luggage carrier, saddle bag, and windshield

Group 46.5 — 46.7

Pg. No.  
7/7

3. 1. 1971



Accessories

Chassis — Luggage carrier, saddle bag, and windshield

Group 46.5 — 46.7

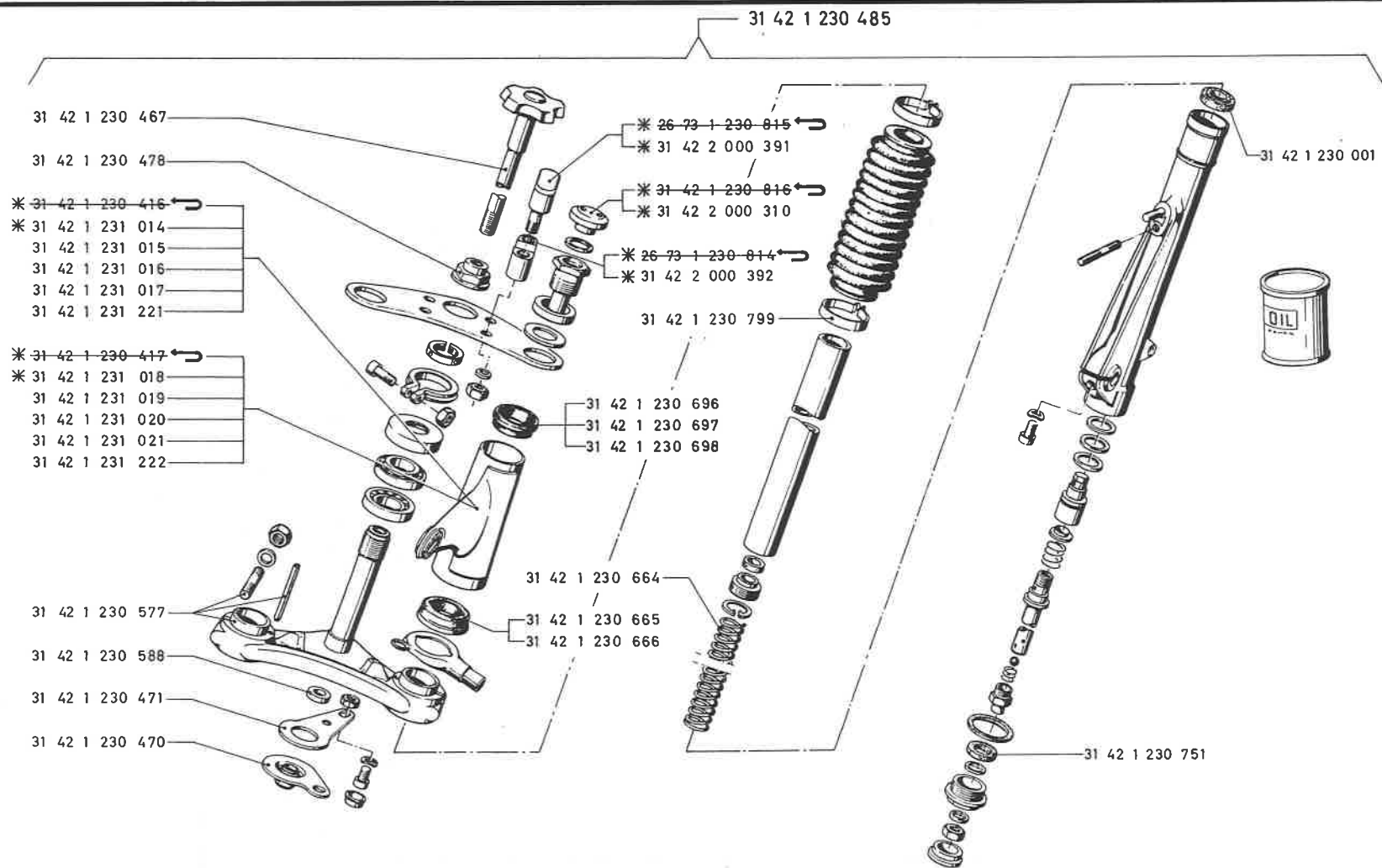
Changes

Pg. No.  
7/7

3. 1. 1971

Part No.	Quantity per Motorcycle			Designation of parts	Remarks
	R 50/5	R 60/5	R 75/5		
46 54 1 230 821	1	1	1	luggage carrier	
46 63 1 231 296	1	1	1	windshield with attachment parts	
71 60 1 231 068	1	1	1	leather saddle bag, right	
71 60 1 231 069	1	1	1	leather saddle bag, left	
71 60 1 231 260	1	1	1	saddlebag bracket left for European police machines	
71 60 1 231 261	1	1	1	saddlebag bracket right for European police machines	
71 60 1 231 262	2	2	2	leather saddle bag large	
71 60 1 231 263	2	2	2	thumb screw	
71 60 9 024 180	1	1	1	luggage carrier with attachment parts	
07 11 9 912 326	1	1	1	allen head bolt M 6 x 45	
07 11 9 913 472	10	10	10	hex. head bolt M 6 x 18	
07 11 9 922 053	2	2	2	hex. nut M 6	
07 11 9 922 058	8	8	8	hex. nut M 6	
07 11 9 932 061	10	10	10	spring washer A 6	
07 11 9 936 426	4	4	4	washer 6,4	





R 50/5  
R 60/5  
R 75/5

Front axle — Front wheel - telescopic fork

Group 31.4

Pg. No.  
1/3

3. 1. 1971



Front axle – Front wheel - telescopic fork

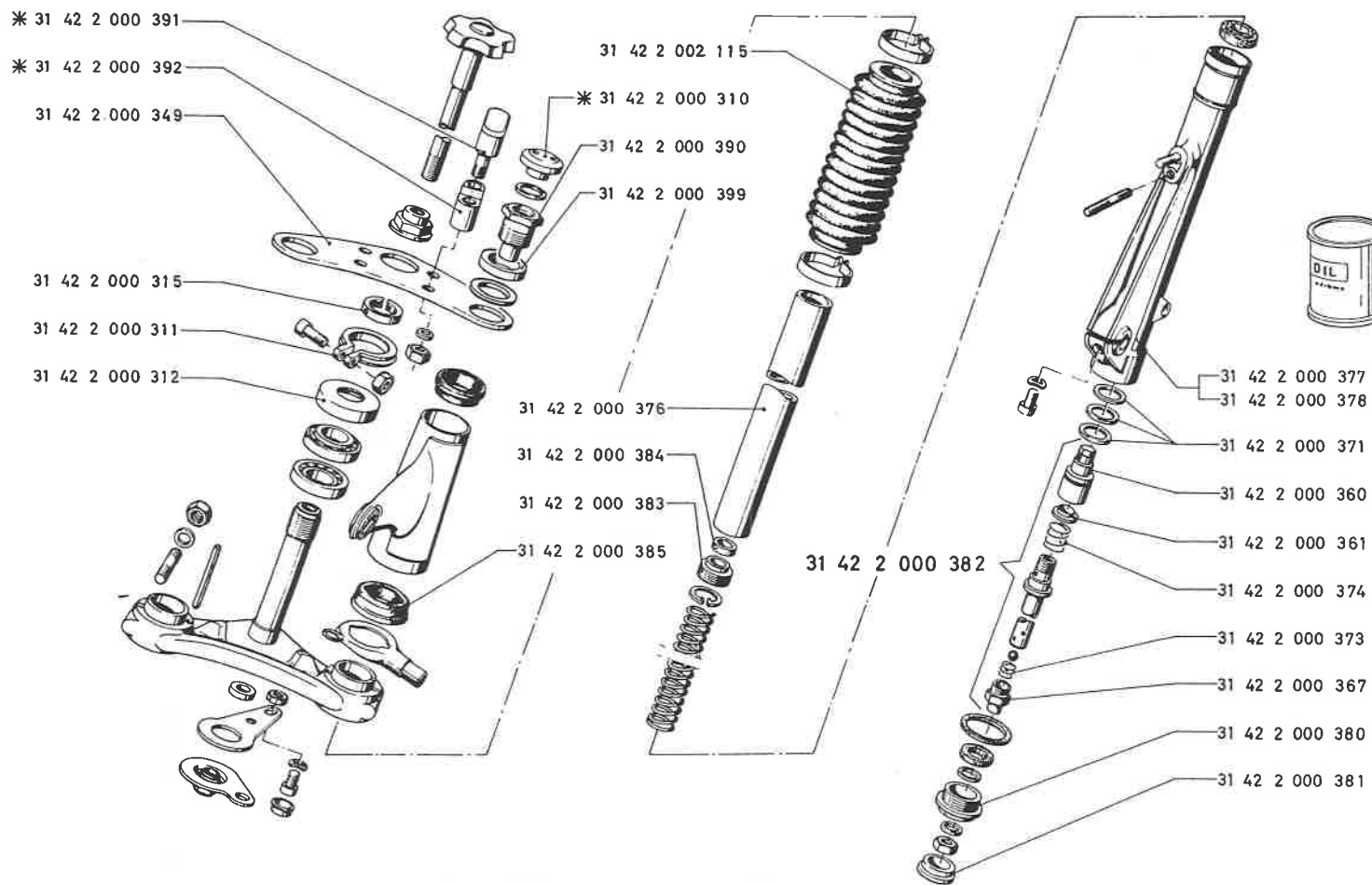
Group 31.4

Changes

Pg. No.  
1/3

3. 1. 1971

Part No.	Quantity per Motorcycle			Designation of parts	Remarks
	R 60/5	R 60/5	R 75/5		
* 26-73-1-230-814	2	2	2	clamping support, lower	* 26-73-1-230-814 ⇔ 31 42 2 000 392
* 26-73-1-230-815	2	2	2	clamping support, upper	
31 32 9 196 902	x	x	x	shock absorber fluid (2.5 l)	* 26-73-1-230-815 ⇔ 31 42 2 000 391
31 42 1 230 001	2	2	2	fork seal	
* 31-42-1-230-416	1	1	1	headlight bracket, left	* 31-42-1-230-816 ⇔ 31 42 2 000 310
* 31-42-1-230-417	1	1	1	headlight bracket, right	
31 42 1 230 467	1	1	1	steering damper knob	* 31-42-1-230-416 ⇔ 31 42 1 231 014
31 42 1 230 470	1	1	1	damper pressure plate	
31 42 1 230 471	1	1	1	damper plate	* 31-42-1-230-417 ⇔ 31 42 1 231 018
31 42 1 230 478	1	1	1	top retainer nut	
31 42 1 230 485	1	1	1	telescopic front fork cpl.	
31 42 1 230 577	1	1	1	lower fork yoke	
31 42 1 230 588	1	1	1	support ring	
31 42 1 230 664	2	2	2	fork spring	
31 42 1 230 665	1	1	1	turn signal bracket, left	
31 42 1 230 666	1	1	1	turn signal bracket, right	
31 42 1 230 696	2	2	2	upper rubber ring, 4 mm	
31 42 1 230 697	2	2	2	upper rubber ring, 5 mm	
31 42 1 230 698	2	2	2	upper rubber ring, 6 mm	
31 42 1 230 751	2	2	2	bumper	
31 42 1 230 799	4	4	4	boot clamp	
* 31-42-1-230-816	2	2	2	filler cap	
* 31 42 1 231 014	1	1	1	headlight bracket black left	
31 42 1 231 015	1	1	1	headlight bracket white left	
31 42 1 231 016	1	1	1	headlight bracket police green left	
31 42 1 231 017	1	1	1	headlight bracket granada red left	
31 42 1 231 221	1	1	1	headlight bracket primed left	
* 31 42 1 231 018	1	1	1	headlight bracket black right	
31 42 1 231 019	1	1	1	headlight bracket white right	
31 42 1 231 020	1	1	1	headlight bracket police green right	
31 42 1 231 021	1	1	1	headlight bracket granada red right	
31 42 1 231 222	1	1	1	headlight bracket primed right	



R 50/5  
R 60/5  
R 75/5

Front axle — Front wheel - telescopic fork

Group 31.4

Pg. No.  
2/3

3. 1. 1971



Front axle — Front wheel - telescopic fork

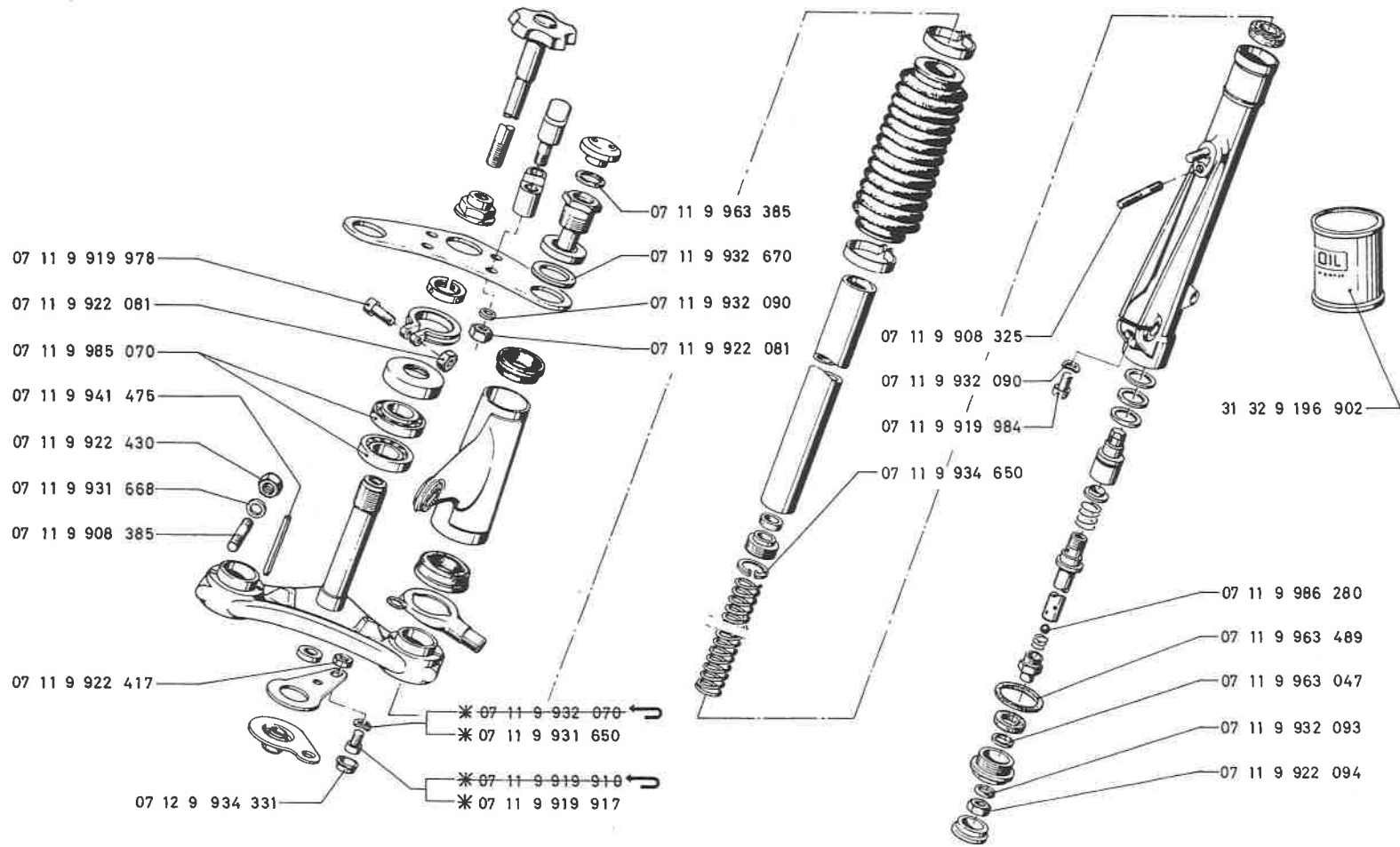
Group 31.4

Changes

Pg. No.  
2/3

3. 1. 1971

Part No.	Quantity per Motorcycle			Designation of parts	Remarks
	R 50/5	R 60/5	R 75/5		
* 31 42 2 000 310	2	2	2	filler cap	* 31 42 2 000 399 to be used if a fairing is installed
31 42 2 000 311	1	1	1	clamp ring	
31 42 2 000 312	1	1	1	dust cover	
31 42 2 000 315	1	1	1	split round nut	
31 42 2 000 349	1	1	1	upper fork bracket	
31 42 2 000 360	2	2	2	spring retainer	
31 42 2 000 361	2	2	2	damper valve	
31 42 2 000 367	2	2	2	plug	
31 42 2 000 371	6	6	6	wiper ring	
31 42 2 000 373	2	2	2	spring	
31 42 2 000 374	2	2	2	spring	
31 42 2 000 376	2	2	2	fork tube	
31 42 2 000 377	1	1	1	fork leg, left	
31 42 2 000 378	1	1	1	fork leg, right	
31 42 2 000 380	2	2	2	bottom cap for fork leg	
31 42 2 000 381	2	2	2	rubber plug	
31 42 2 000 382	2	2	2	hydraulic shock absorber	
31 42 2 000 383	2	2	2	orifice	
31 42 2 000 384	2	2	2	bumper	
31 42 2 000 385	2	2	2	lower rubber ring	
31 42 2 000 390	2	2	2	upper spring retainer	
* 31 42 2 000 391	2	2	2	clamping support, upper	
* 31 42 2 000 392	2	2	2	clamping support, lower	
* 31 42 2 000 399	4	4	4	spacer	
31 42 2 002 115	2	2	2	fork boot	



R 50/5  
R 60/5  
R 75/5

Front axle — Front wheel - telescopic fork

Group 31.4

Pg. No.  
3/3

3. 1. 1971



Front axle — Front wheel - telescopic fork

Group 31.4

Changes

Pg. No.  
3/3

3. 1. 1971

Part No.	Quantity per Motorcycle			Designation of parts	Remarks
	R 50/5	R 60/5	R 75/5		
07 11 9 908 325	4	4	4	stud M 8x25	
07 11 9 908 385	2	2	2	stud M 10x35	
* <del>07 11 9 919 910</del>	1	1	1	allen head bolt M 6 x 10	* <del>07 11 9 919 910</del> ⇨ 07 11 9 919 917
* 07 11 9 919 917	1	1	1	allen head bolt M 6 x 15	* <del>07 11 9 932 070</del> ⇨ 07 11 9 931 650
07 11 9 919 978	1	1	1	allen head bolt M 8x25	
07 11 9 919 984	1	1	1	allen head bolt M 8x35	* <del>07 11 9 932 093</del> ⇨ 07 11 9 922 094
07 11 9 922 081	5	5	5	hex. nut M 8	
07 11 9 922 417	1	1	1	hex. nut M 6	
07 11 9 922 430	2	2	2	hex. nut M 10	
* 07 11 9 931 650	2	2	2	washer 6,4	
07 11 9 931 668	2	2	2	flat washer 10,5	
* <del>07 11 9 932 070</del>	1	1	1	lock washer B 6, spring type	
07 11 9 932 090	8	8	8	lock washer B 8, spring type	
07 11 9 932 670	2	2	2	spacer washer	
07 11 9 934 650	2	2	2	circlip 32 x 1,2	
07 11 9 941 475	2	2	2	roll pin 5x60	
07 11 9 963 047	2	2	2	gasket 8x11,5	
07 11 9 963 385	2	2	2	gasket 24x29	
07 11 9 963 489	2	2	2	gasket 45x52	
07 11 9 985 070	2	2	2	tapered roller bearing 32 028	
07 11 9 986 280	2	2	2	ball 8 Ø	
07 12 9 934 331	1	1	1	snap ring	
* 07 11 9 932 093	2	2	2	lock washer B 8 x 15, spring type	
* 07 11 9 922 094	2	2	2	hex. nut M 8 x 1	
31 32 9 196 902	x	x	x	shock absorber fluid (2.5 l)	





Special equipment — Close ratio transmission

Group 23.2

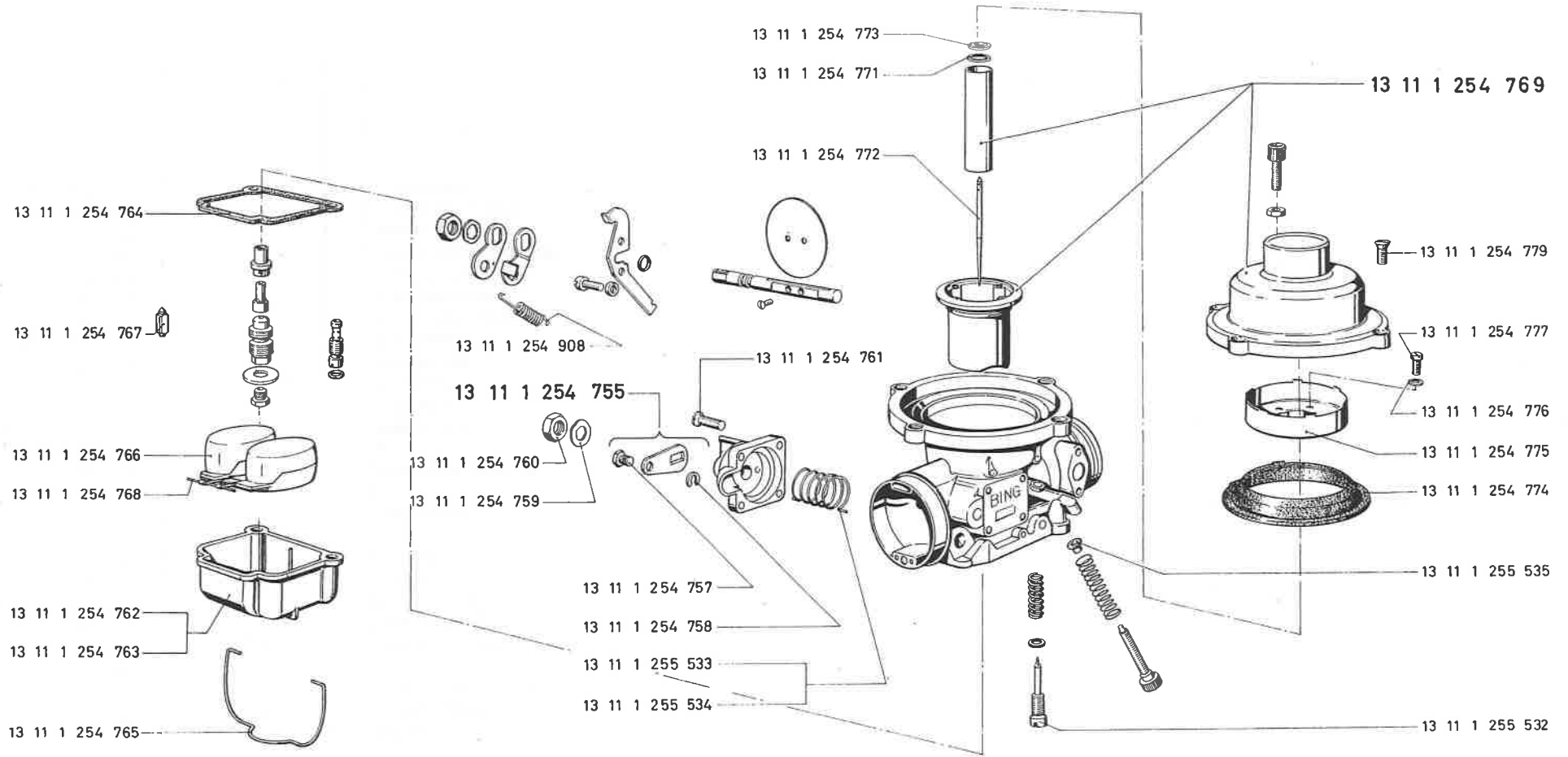
Changes

Pg. No.  
3/3

3. 1. 1971

Part No.	Quantity per Motorcycle			Designation of parts	Remarks
	R 50/5	R 60/5	R 75/5		
23 21 1 230 085	1	1	1	drive gear	
23 22 1 230 060	1	1	1	fourth gear	
23 22 1 231 205	1	1	1	complete gear set	
23 22 1 231 206	1	1	1	cluster gear	
23 22 1 231 209	1	1	1	first gear	
23 22 1 231 210	1	1	1	second gear	
23 22 1 231 211	1	1	1	third gear	





R 75/5

Engine — Carburetor jets

Group 13.1

Pg. No.  
3/3

8. 1. 1970



Engine — Carburator jets

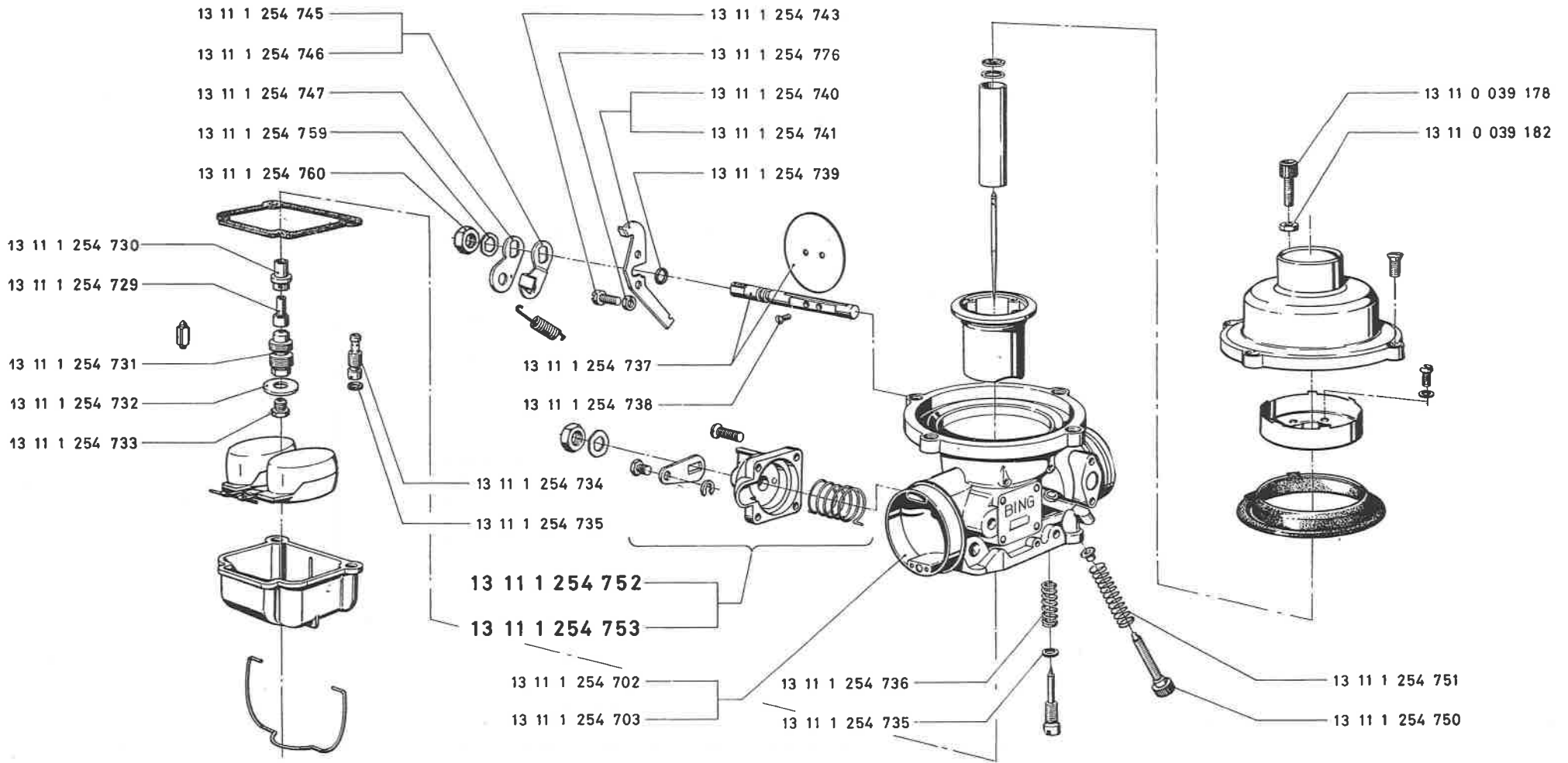
Group 13.1

Changes

Pg. No.  
3/3

8. 1. 1970

Part No.	Quantity per Motorcycle				Designation of parts	Part No.	Remarks
	R 50/5	R 60/5	R 75/5				
13 11 1 254 755			2		lever		
13 11 1 254 757			2		fitting		
13 11 1 254 758			2		safety washer		
13 11 1 254 759			2		lock washer		
13 11 1 254 760			2		hex. nut		
13 11 1 254 761			8		oval head screw		
13 11 1 254 762			1		float bowl, right		
13 11 1 254 763			1		float bowl, left		
13 11 1 254 764			2		gasket		
13 11 1 254 765			2		wire clip		
13 11 1 254 766			2		float		
13 11 1 254 767			2		float needle		
13 11 1 254 768			2		pin		
13 11 1 254 769			2		piston with cover cpl.		
13 11 1 254 771			2		clip		
13 11 1 254 772			2		slide needle		
13 11 1 254 773			2		notched ring		
13 11 1 254 774			2		diaphragm		
13 11 1 254 775			2		support ring		
13 11 1 254 776			8		lock washer		
13 11 1 254 777			8		fillister head screw		
13 11 1 254 779			8		oval head screw		
13 11 1 254 908			2		return spring		
13 11 1 255 532			2		mixture regulating screw		
13 11 1 255 533			1		hairpin spring left		
13 11 1 255 534			1		hairpin spring right		
13 11 1 255 535			2		guide sleeve		



R 75/5

Engine — Carburetor jets

Group 13.1

Pg. No.  
2/3

2.1.1970



Engine — Carburetor-jets

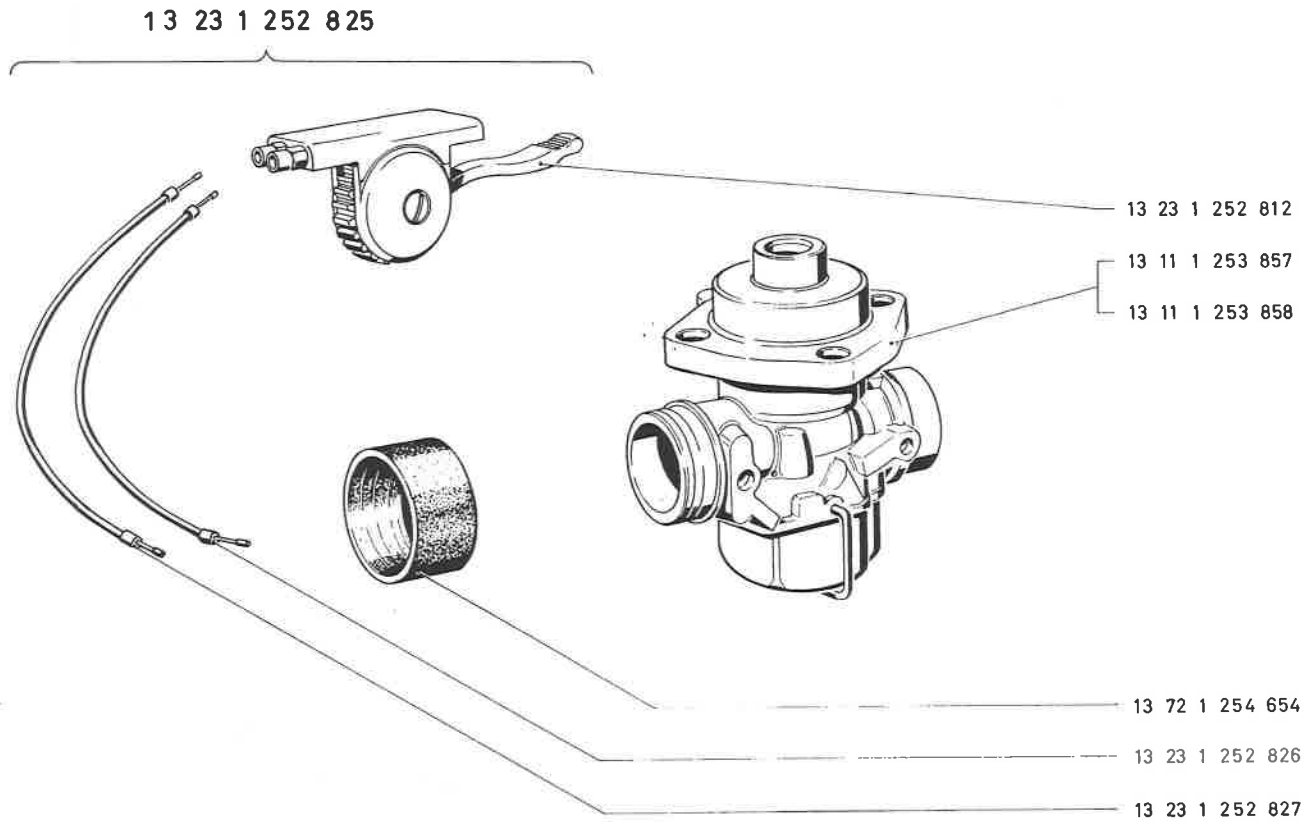
Group 13.1

Changes

Pg. No.  
2/3

2. 1. 1970

Part No.	Quantity per Motorcycle				Designation of parts	Part No.	Remarks
	R 50/5	R 60/5	R 75/5				
13 11 0 039 178			2		cable adjusting screw		
13 11 0 039 182			2		lock nut cable adjusting screw		
13 11 1 254 702			1		carburetor housing, right		
13 11 1 254 703			1		carburetor housing, left		
13 11 1 254 729			2		needle jet 2.73		
13 11 1 254 730			2		mixing chamber insert		
13 11 1 254 731			2		mixing tube		
13 11 1 254 732			2		washer		
13 11 1 254 733			2		main jet, 140		
13 11 1 254 734			2		idle jet, 45		
13 11 1 254 735			2		O-ring		
13 11 1 254 736			2		spring		
13 11 1 254 737			2		butterfly		
13 11 1 254 738			4		oval head screw		
13 11 1 254 739			2		O-ring		
13 11 1 254 740			1		support arm, right		
13 11 1 254 741			1		support arm, left		
13 11 1 254 743			4		fillister head screw		
13 11 1 254 745			1		choke lever, right		
13 11 1 254 746			1		choke lever, left		
13 11 1 254 747			2		choke lever		
13 11 1 254 750			2		adjusting screw		
13 11 1 254 751			2		spring		
13 11 1 254 752			1		choke housing, right cpl.		
13 11 1 254 753			1		choke housing, left cpl.		
13 11 1 254 759			2		lock washer		
13 11 1 254 760			2		nut		
13 11 1 254 776			4		lock washer		



R 75/5

Engine — Carburetor cpl.

Group 13.1

Pg. No.  
1/3

2. 1. 1970



Engine — Carburetor cpl.

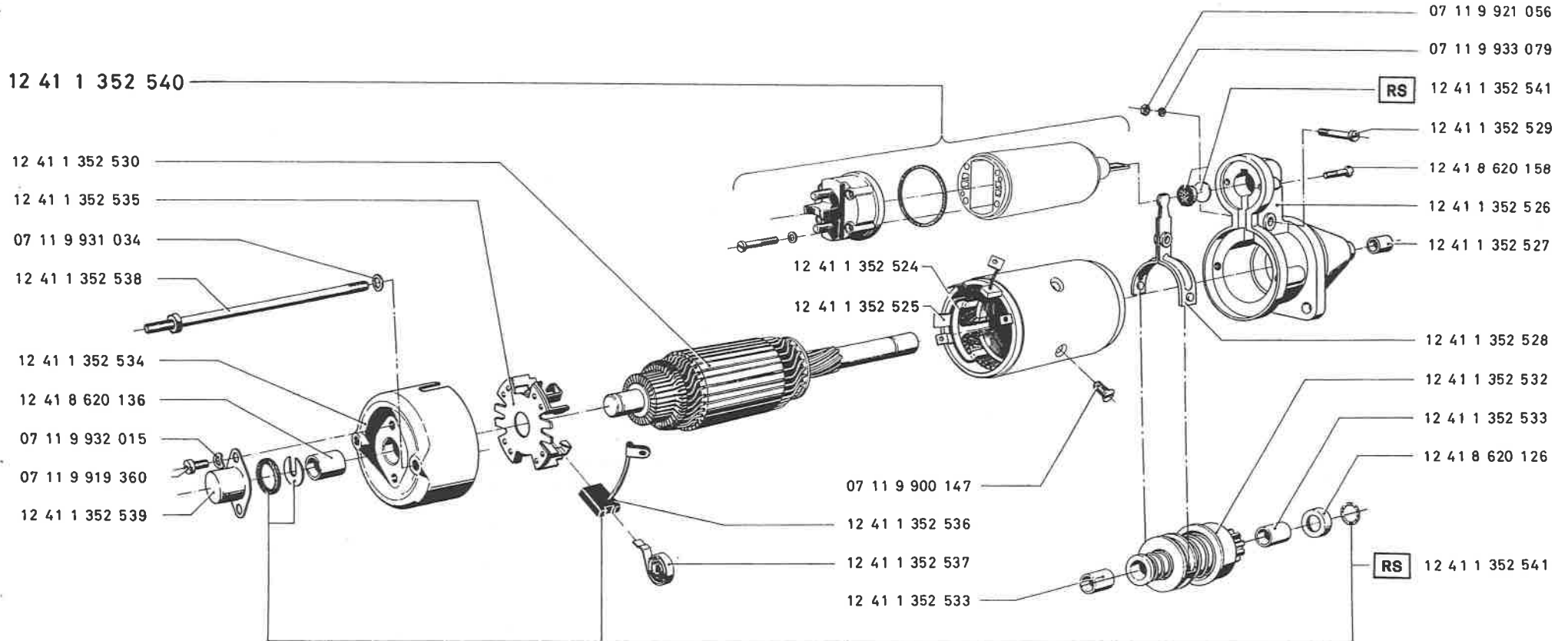
Group 13.1

Changes

Pg. Nr.  
1/3

2. 1. 1970

Part No.	Quantity per Motorcycle				Designation of parts	Part No.	Remarks
	R 50/5	R 60/5	R 75/5				
13 11 1 253 857			1		carburetor, right 32 mm throat, cpl.		
13 11 1 253 858			1		carburetor, left 32 mm throat, cpl.		
13 23 1 252 812			1		choke lever		
13 23 1 252 825			1		choke lever assembly complete		
13 23 1 252 826			1		choke cable, left		
13 23 1 252 827			1		choke cable, right		
13 72 1 254 654			2		air tube rubber		



R 50/5

Accessories

Engine (electric) — Starter, component parts

Group 12.4

Pg. No.  
2/2

4. 1. 1970



## Accessories

## Engine (electric) — Starter, component parts

Group 12.4

Changes

Pg. Nr.  
2/2

4. 1. 1970

Part No.	Quantity per Motorcycle				Designation of parts	Part No.	Remarks
	R 50/5	R 60/5	R 75/5				
12 41 1 352 524	1				field coil		
12 41 1 352 525	1				insulating strip		
12 41 1 352 526	1				drive bearing		
12 41 1 352 527	1				bushing		
12 41 1 352 528	1				lever		
12 41 1 352 529	1				allen head bolt		
12 41 1 352 530	1				armature		
12 41 1 352 532	1				transmission		
12 41 1 352 533	2				bushing		
12 41 1 352 534	1				commutatur bearing		
12 41 1 352 535	1				cover plate with brush retainers		
12 41 1 352 536	1				brush set		
12 41 1 352 537	4				thrust spring		
12 41 1 352 538	2				allen head bolt		
12 41 1 352 539	1				end cap		
12 41 1 352 540	1				solenoid cpl.		
12 41 1 352 541	1				assembly <span style="border: 1px solid black; padding: 0 2px;">RS</span>		
12 41 8 620 126	1				stop ring		
12 41 8 620 136	1				bushing		
12 41 8 620 158	2				countersunk screw		
07 11 9 900 147	4				countersunk screw		
07 11 9 919 360	2				allen head bolt		
07 11 9 921 056	1				hex. nut		
07 11 9 931 034	2				washer 5.3		
07 11 9 932 015	2				lock washer A 4, spring type		
07 11 9 933 079	1				lock washer		